

TM 9-2320-209-10-3
TO 36A12-1B-1091-3

TECHNICAL MANUAL

TROUBLESHOOTING

OPERATOR LEVEL

2½-TON, 6x6, M44A1 AND M44A2 SERIES TRUCKS
(MULTIFUEL)

TRUCK, CARGO: M35A1,
M35A2, M35A2C, M36A2; TRUCK,
TANK, FUEL: M49A1C, M49A2C; TRUCK, TANK,
WATER: M50A1, M50A2, M50A3; TRUCK, VAN,
SHOP: M109A2, M109A3; TRUCK, REPAIR SHOP:
M185A2, M185A3; TRUCK, TRACTOR: M275A1,
M275A2; TRUCK, DUMP: M342A2; TRUCK,
MAINTENANCE, PIPELINE CONSTRUCTION:
M756A2; TRUCK, MAINTENANCE,
EARTH BORING AND POLESETTING: M764

DEPARTMENTS OF THE ARMY AND THE AIR FORCE
SEPTEMBER 1980

WARNING

EXHAUST GASES CAN BE DEADLY

Exposure to exhaust gases produces symptoms of headache, dizziness, loss of muscular control, apparent drowsiness, and coma. Permanent brain damage or death can result from severe exposure.

Carbon monoxide occurs in the exhaust fumes of fuel burning heaters and internal combustion engines, and becomes dangerously concentrated under conditions of inadequate ventilation. The following precautions must be observed to insure the safety of personnel whenever fuel burning heater(s) or engine of any vehicle is operated for maintenance purposes or tactical use.

Do not operate heater or engine of vehicle in an enclosed area unless it is adequately ventilated.

Do not idle engine for long periods without maintaining adequate ventilation in personnel compartments.

Do not drive any vehicle with inspection plates or cover plates removed unless necessary for maintenance purposes.

Be alert at all times during vehicle operation for exhaust odors and exposure symptoms. If either are present, immediately ventilate personnel compartments. If symptoms persist, remove affected personnel from vehicle and treat as follows: expose to fresh air; keep warm; do not permit physical exercise; if necessary, administer artificial respiration.

If exposed, seek prompt medical attention for possible delayed onset of acute lung congestion. Administer oxygen if available.

The best defense against exhaust gas poisoning is adequate ventilation.

WARNING

Serious or fatal injury to personnel may result
if the following instructions are not complied with.

Use extreme care when removing radiator cap, especially when temperature gage shows above 180°F.

Always wear leather gloves when handling winch cable. Never allow cable to slip through hands. Do not operate winch with less than four turns of cable on drum.

Do not drive truck until the low air pressure warning buzzer is silent and the air pressure gage shows at least 65 PSI. This is the minimum pressure required for safe braking action.

Do not use hand throttle to drive the vehicle.

Do not park truck with front transmission gearshift lever in gear.

If your vehicle class number is greater than the bridge class number, do not cross.

**TECHNICAL MANUAL
NO. 9-2320-209-10-3
TECHNICAL ORDER
NO. 36A12-1B-1091-3**

**DEPARTMENTS OF THE ARMY
AND
THE AIR FORCE
Washington, DC, 26 September 1980**

TECHNICAL MANUAL

**TROUBLESHOOTING
OPERATOR LEVEL**

2½-TON 6X6, M44A1 AND M44A2 SERIES TRUCKS

(MULTIFUEL)

Model		NSN without Winch	NSN with Winch
Truck, Cargo	M35A1	2320-00-542-5633	2320-00-542-5634
	M35A2	2320-00-077-1616	2320-00-077-1617
	M35A2C	2320-00-926-0873	2320-00-926-0875
	M36A2	2320-00-077-1618	2320-00-077-1619
Truck, Tank, Fuel	M49A1C	2320-00-440-3349	2320-00-440-3346
	M49A2C	2320-00-077-1631	2320-00-077-1632
Truck, Tank, Water	M50A1	2320-00-440-8307	2320-00-440-8305
	M50A2	2320-00-077-1633	2320-00-077-1634
	M50A3	2320-00-937-4036	2320-00-937-5264
Truck, Van, Shop	M109A2	2320-00-440-8313	2320-00-440-8308
	M109A3	2320-00-077-1636	2320-00-077-1637
Truck, Repair Shop	M185A2	4940-00-987-8799	4940-00-987-8800
	M185A3	4940-00-077-1638	4940-00-077-1639
Truck, Tractor	M275A1	2320-00-446-2479	
	M275A2	2320-00-077-1640	2320-00-077-1641
Truck, Dump	M342A2	2320-00-077-1643	2320-00-077-1644
Truck, Maintenance, Pipeline Construction	M756A2		2320-00-904-3277
Truck, Maintenance, Earth Boring and Polesetting	M764		2320-00-937-5980

Current as of 1 February 1980

This manual, together with TM 9-2320-209-10-1, 26 September 1980;
TM 9-2320-209-10-2, 26 September 1980; and TM 9-2320-209-10-4, 26 September 1980,
supersedes TM 9-2320-209-10/1, 29 October 1976.

REPORTING OF ERRORS AND RECOMMENDING IMPROVEMENTS

You can help improve this manual. If you find any mistake or if you know of a way to improve the procedure, please let us know. Mail your letter, DA Form 2028 (Recommended Changes to Publication and Blank Forms), or DA Form 2028-2 located in the back of this manual direct to: Commander, U.S. Army Tank Automotive Materiel Readiness Command, ATTN: DRSTA-MB, Warren, Michigan 48090. A reply will be furnished to you.

	Paragraph	Page
CHAPTER 1. GENERAL INFORMATION		
Scope	1-1	1-1
Organization	1-2	1-1
Troubleshooting Approach	1-3	1-1
2. TROUBLESHOOTING APPROACH		
General Approach	2-1	2-1
Troubleshooting Index	2-2	2-1
Troubleshooting Roadmaps	2-3	2-1
Fault Symptom Index	2-4	2-1
Sample Troubleshooting Procedure	2-5	2-1
3. TROUBLESHOOTING INDEX		
General	3-1	3-1
Index	3-2	3-1
4. TEST EQUIPMENT PROCEDURES INDEX		
Index	4-1	4-1
5. TROUBLESHOOTING ROADMAPS		
General	5-1	5-1
Roadmaps	5-2	5-1
6. FAULT SYMPTOM INDEXES		
General	6-1	6-1
Indexes	6-2	6-1
7. SAMPLE TROUBLESHOOTING PROCEDURE		
General	7-1	7-1
Sample Procedure	7-2	7-1
8. FUEL SYSTEM TROUBLESHOOTING PROCEDURES		
General	8-1	8-1
Procedures	8-2	8-1
9. COOLING SYSTEM TROUBLESHOOTING PROCEDURES		
General	9-1	9-1
Procedures	9-2	9-1

	Paragraph	Page
CHAPTER 10. TRANSMISSION SYSTEM TROUBLESHOOTING PROCEDURES		
General	10-1	10-1
Procedures	10-2	10-1
11. TRANSFER SYSTEM TROUBLESHOOTING PROCEDURES		
General	11-1	11-1
Procedures	11-2	11-1
12. FRONT AXLE SYSTEM TROUBLESHOOTING PROCEDURES		
General	12-1	12-1
Procedures	12-2	12-1
13. REAR AXLE SYSTEM TROUBLESHOOTING PROCEDURES		
General	13-1	13-1
Procedures	13-2	13-1
14. BRAKE SYSTEM TROUBLESHOOTING PROCEDURES		
General	14-1	14-1
Procedures	14-2	14-1
15. WHEEL SYSTEM TROUBLESHOOTING PROCEDURES		
General	15-1	15-1
Procedures	15-2	15-1
16. STEERING SYSTEM TROUBLESHOOTING PROCEDURES		
General	16-1	16-1
Procedures	16-2	16-1
17. OUTRIGGER, TRUCK M764 TROUBLESHOOTING PROCEDURES		
General	17-1	17-1
Procedures	17-2	17-1
18. FRONT WINCH TROUBLESHOOTING PROCEDURES		
General	18-1	18-1
Procedures	18-2	18-1
19. REAR WINCH, TRUCK M764 TROUBLESHOOTING PROCEDURES		
General	19-1	19-1
Procedures	19-2	19-1
20. REAR WINCH, TRUCK M756A2 TROUBLESHOOTING PROCEDURES		
General	20-1	20-1
Procedures	20-2	20-1

	Paragraph	Page
CHAPTER 21. DUMP TRUCK TROUBLESHOOTING PROCEDURES		
General	21-1	21-1
Procedures	21-2	21-1
22. HOT WATER HEATER TROUBLESHOOTING PROCEDURES		
General	22-1	22-1
Procedures	22-2	22-1

CHAPTER 1

GENERAL INFORMATION

1-1. SCOPE. This volume tells you how to do troubleshooting at the operator's level of maintenance. The amount of troubleshooting you can do is based on what the Maintenance Allocation Chart says you can fix. Because of this, the only trouble symptoms you will find here are those that could be caused by faulty things you can fix.

1-2. ORGANIZATION. When you do PMCS, or when you drive the truck and find that something is wrong, write down what is wrong. Then check the fault symptom index to see if the trouble (fault symptom) you noted is in the index. If it is, you can do troubleshooting to find the fault and fix it. If the symptom is not in the index, tell organizational maintenance.

1-3. TROUBLESHOOTING APPROACH. In order to find out what is causing the problem in the truck, you must use a good approach. A good approach just means a way of doing troubleshooting so you can find the problem and not get confused or lost. The following chapter describes how you can use the materials in this volume to troubleshoot with a good approach.

CHAPTER 2

TROUBLESHOOTING APPROACH

2-1. GENERAL APPROACH. This chapter gives you instructions on how to use the troubleshooting material to help you find and fix the trouble. In every system of the truck there can be faults or problems which will cause certain symptoms. Symptoms can be such things as unusual noise, vibration, or even complete failure of a system. This volume gives information for each system on which you can do troubleshooting to find faults and fix them. Before you troubleshoot a system, you should look at the troubleshooting indexes which will lead you to the information you need to help make your troubleshooting faster and easier. If you follow the instructions the right way, you will find those troubles you can fix. But, if you fix something and the trouble is still there, it means there is more than one trouble. If this happens, start all over again to find the other trouble.

2-2. TROUBLESHOOTING INDEX. The troubleshooting index, and instructions on how to use it are in chapter 3. Go to this index first because it tells you where to find troubleshooting roadmaps, fault symptom indexes, summary troubleshooting charts and support diagrams for each system.

2-3. TROUBLESHOOTING ROADMAPS. Troubleshooting roadmaps for each system are in chapter 5. If the system is made up of subsystems, these subsystems are also on the roadmap. Under the subsystem is a list of things which are the most likely causes of a fault symptom in that subsystem. If you have enough skill, you can troubleshoot these things on the truck without using the detailed troubleshooting procedures. So if you know enough about the truck to work on your own, use the roadmap for the system with the problem before you check the fault symptom index.

2-4. FAULT SYMPTOM INDEX. Fault symptom indexes and instructions on how to use them are in chapter 6. For each system of the truck, there is an index which gives you a list of the fault symptoms for that system. The index also tells you where to find the detailed troubleshooting procedures and what resources (tools/people) you need to do each procedure.

2-5. SAMPLE TROUBLESHOOTING PROCEDURE. A sample troubleshooting procedure is in chapter 7. This sample procedure will help you see the way detailed troubleshooting procedures are to be used.

CHAPTER 3

TROUBLESHOOTING INDEX

3-1. GENERAL. This chapter has a troubleshooting index which covers every system of the truck on which you can do troubleshooting. The index tells you where to find all the other information you need to do your troubleshooting procedures.

3-2. INDEX. The troubleshooting index (fig. 3-1) is divided into five columns that list systems, troubleshooting roadmaps, fault symptoms, summary troubleshooting procedures, and system support diagrams. The following breakdown tells you what is in each column.

a. System Column. This column gives a list of systems on the truck for which troubleshooting can be done at the operator's maintenance level.

b. Troubleshooting Roadmaps Column. This column tells you where to find the troubleshooting roadmap for each listed system. These roadmaps are given in chapter 5.

c. Fault Symptom Index Column. This column tells you where to find the troubleshooting fault symptom index for each listed system. Fault symptom indexes are given in chapter 6.

d. Summary Troubleshooting Procedures Column. Summary troubleshooting procedures are not needed at this level of maintenance because they would be the same as the detailed troubleshooting procedures, so this column is not used. The detailed troubleshooting procedures found by using the fault symptom indexes will get you to the cause of the trouble quickly.

e. System Support Diagrams Column. The detailed troubleshooting procedures in this volume will give you all the information you need to find the bad part or problem with the truck. So, because support diagrams are not needed, this column is not used.

TM 9-2320-209-10-3

	SYSTEM	TROUBLE-SHOOTING ROADMAPS	FAULT SYMPTOM INDEXES	SUMMARY TROUBLE-SHOOTING PROCEDURES	SYSTEM SUPPORT DIAGRAMS
1	FUEL	Figure 5-1	Table 6-1		
2	COOLING	Figure 5-2	Table 6-2		
3	TRANSMISSION	Figure 5-3	Table 6-3		
4	TRANSFER	Figure 5-4	Table 6-4		
5	FRONT AXLE	Figure 5-5	Table 6-5		
6	REAR AXLE	Figure 5-6	Table 6-6		
7	BRAKES	Figure 5-7	Table 6-7		
8	WHEELS	Figure 5-8	Table 6-8		
9	STEERING	Figure 5-9	Table 6-9		
10	OUTRIGGER, TRUCK M764	Figure 5-10	Table 6-10		
11	FRONT WINCH	Figure 5-11	Table 6-11		
12	REAR WINCH, TRUCK M764	Figure 5-12	Table 6-12		
13	REAR WINCH, TRUCK M756A2	Figure 5-13	Table 6-13		
14	DUMP TRUCK	Figure 5-14	Table 6-14		
15	HOT WATER HEATER	Figure 5-15	Table 6-15		

Figure 3-1. Troubleshooting Index

TA 113500

CHAPTER 4

TEST EQUIPMENT PROCEDURES INDEX

4-1. INDEX. There is no test equipment needed at the operator maintenance level to do troubleshooting, so, no test equipment procedures index is given.

CHAPTER 5

TROUBLESHOOTING ROADMAPS

5-1. GENERAL. This chapter gives troubleshooting roadmaps for every system of the truck for which you have detailed troubleshooting procedures. Figures 5-1 through 5-15 cover all the roadmaps for the detailed procedures.

5-2. ROADMAPS . Each roadmap gives a list of things which are most likely to cause a fault symptom in a system or subsystem. At least one of the items listed will be found to be bad when you do the detailed troubleshooting procedures for that system.

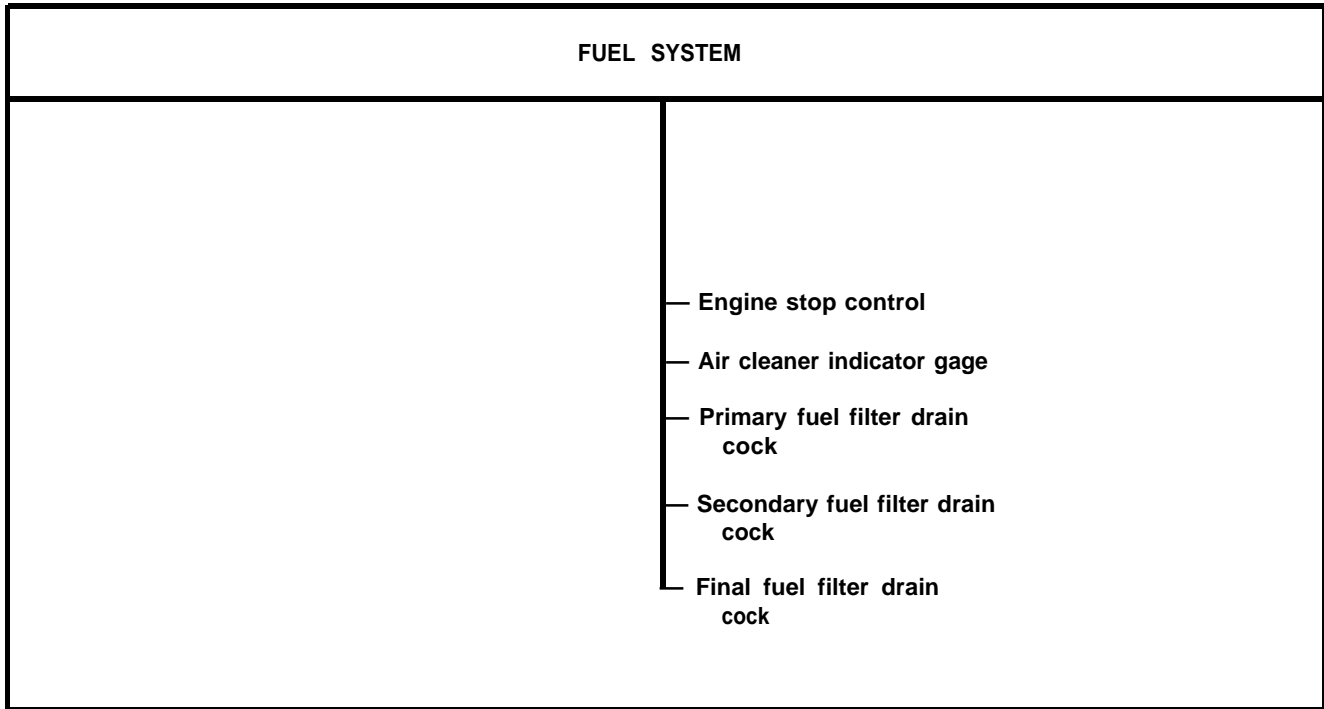


Figure 5-1. Troubleshooting Roadmap, Fuel System

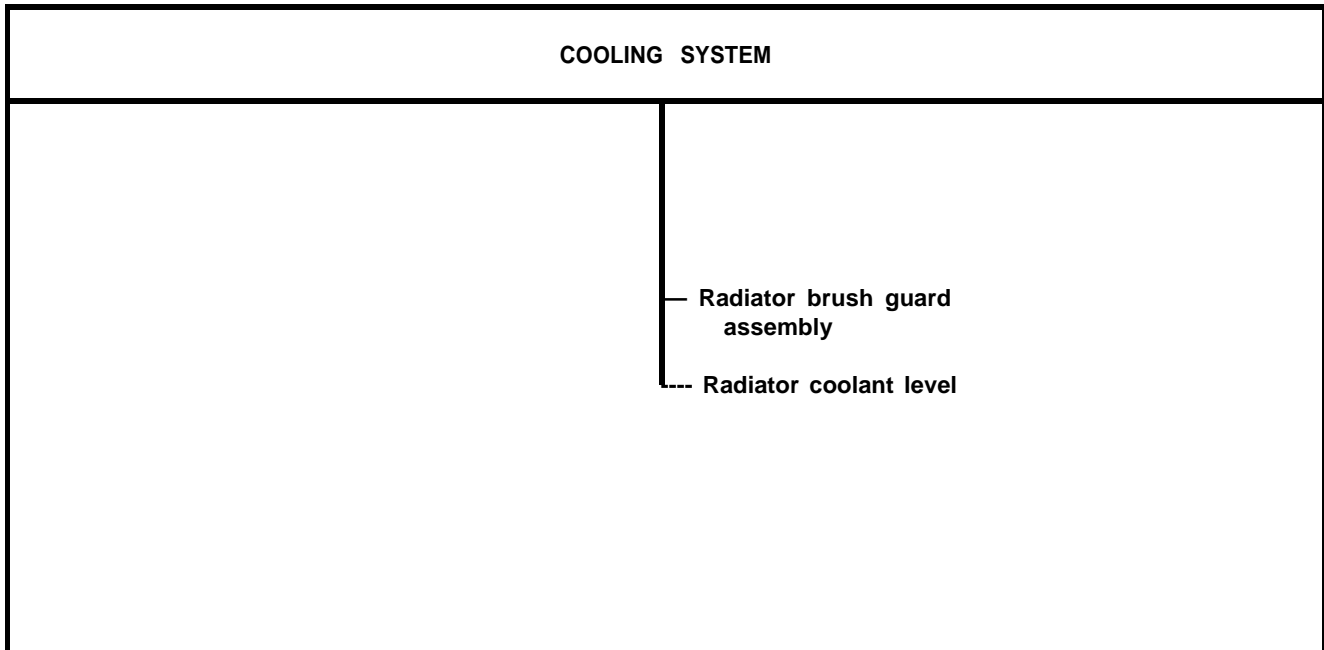


Figure 5-2. Troubleshooting Roadmap, Cooling System

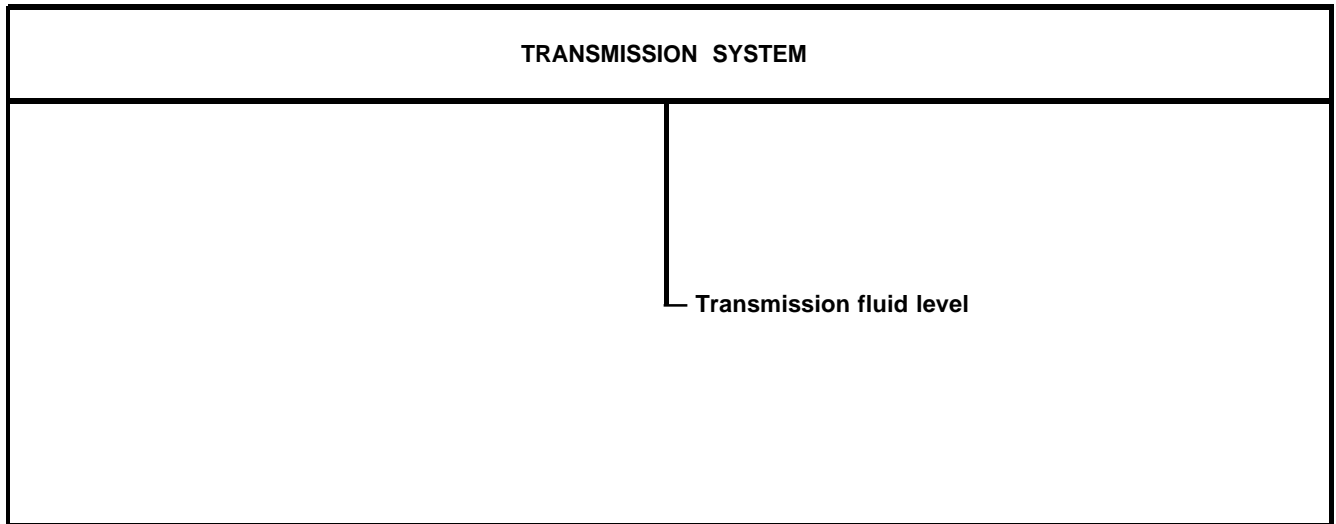


Figure 5-3. Troubleshooting Roadmap, Transmission System

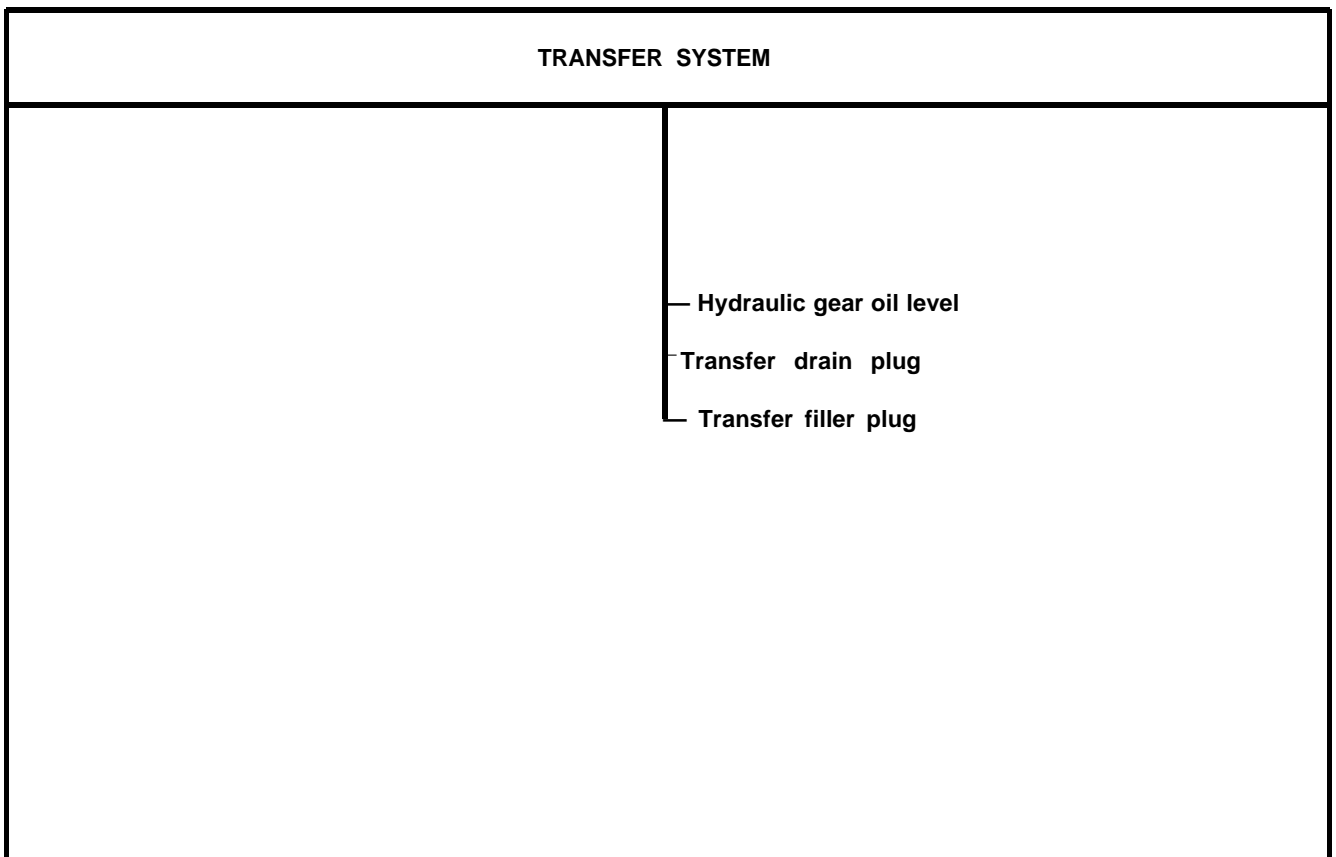


Figure 5-4. Troubleshooting Roadmap, Transfer System

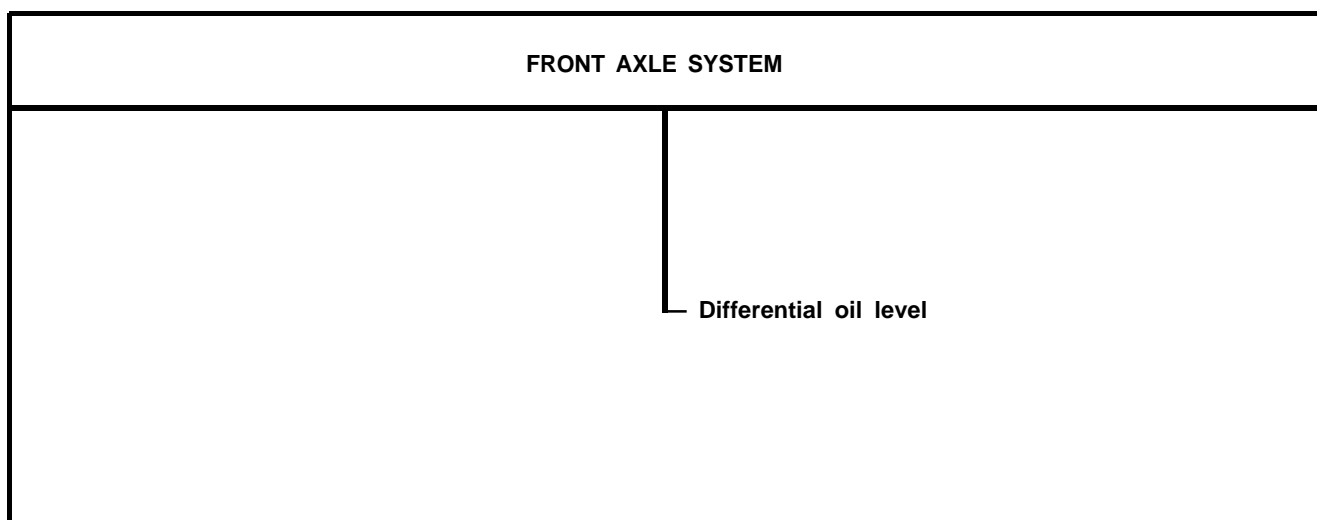


Figure 5-5. Troubleshooting Roadmap, Front Axle System

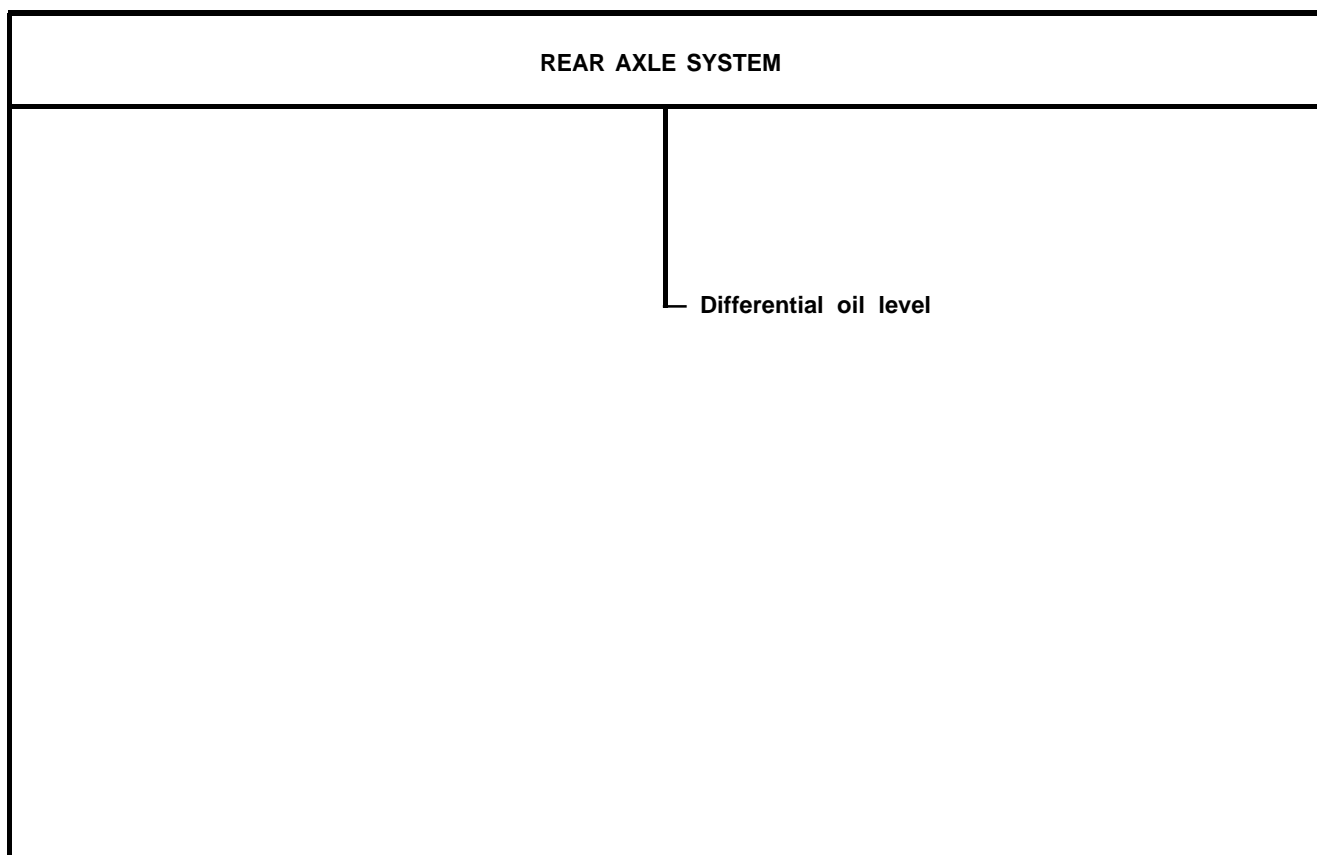


Figure 5-6. Troubleshooting Roadmap, Rear Axle System

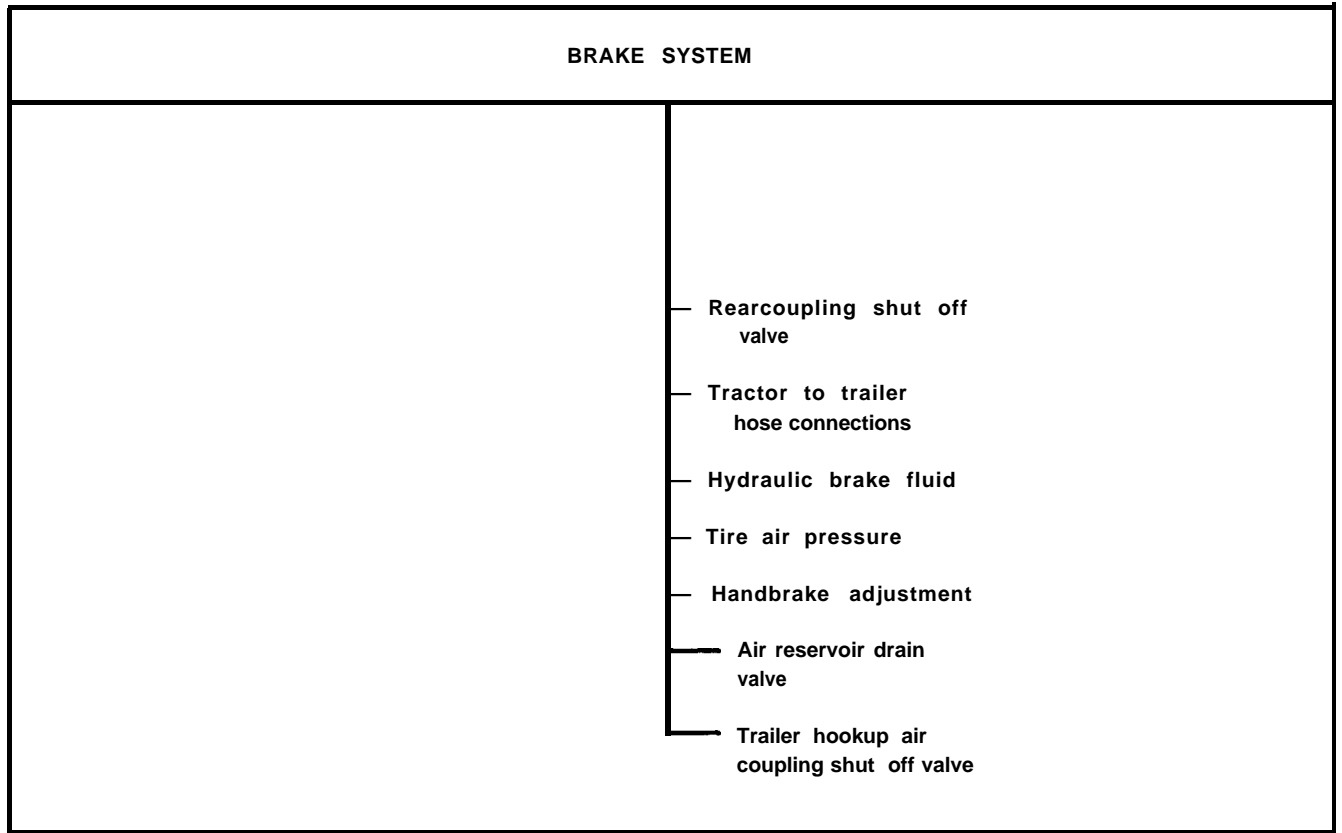


Figure 5-7. Troubleshooting Roadmap, Brake System

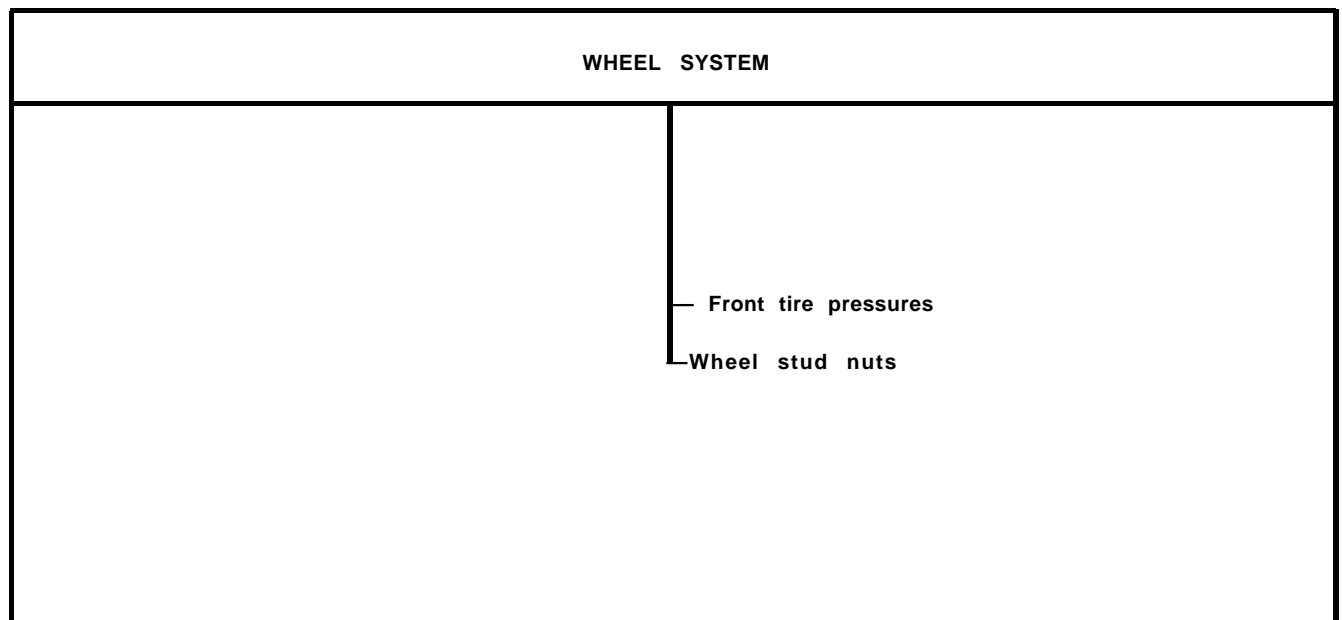


Figure 5-8. Troubleshooting Roadmap, Wheel System

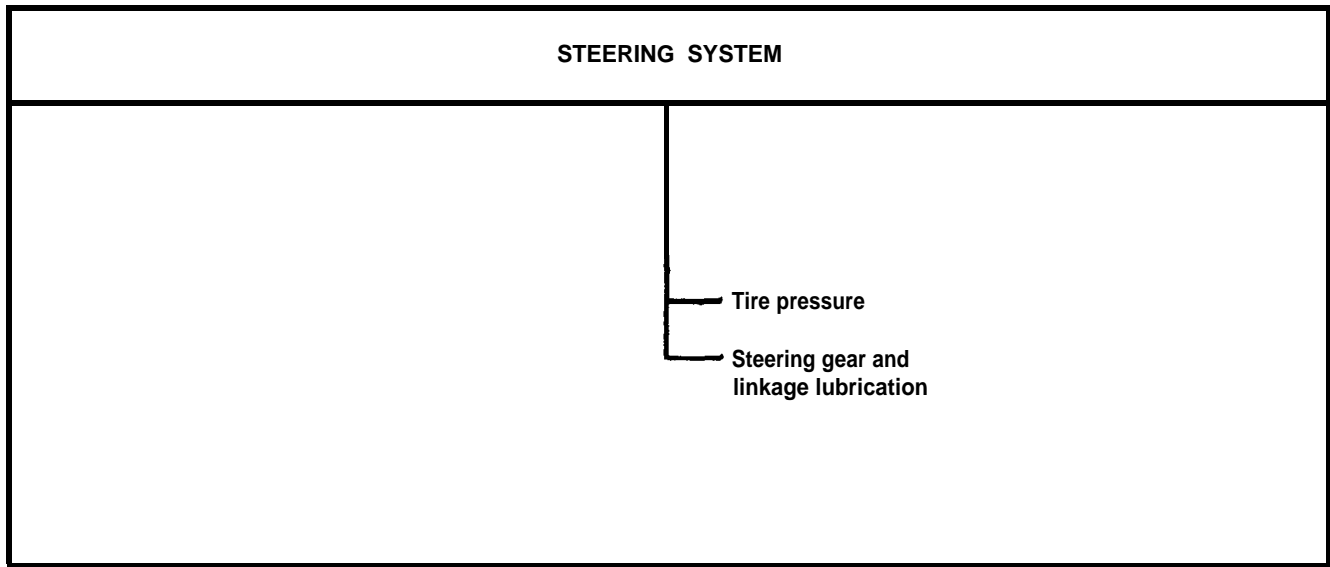


Figure 5-9. Troubleshooting Roadmap, Steering System

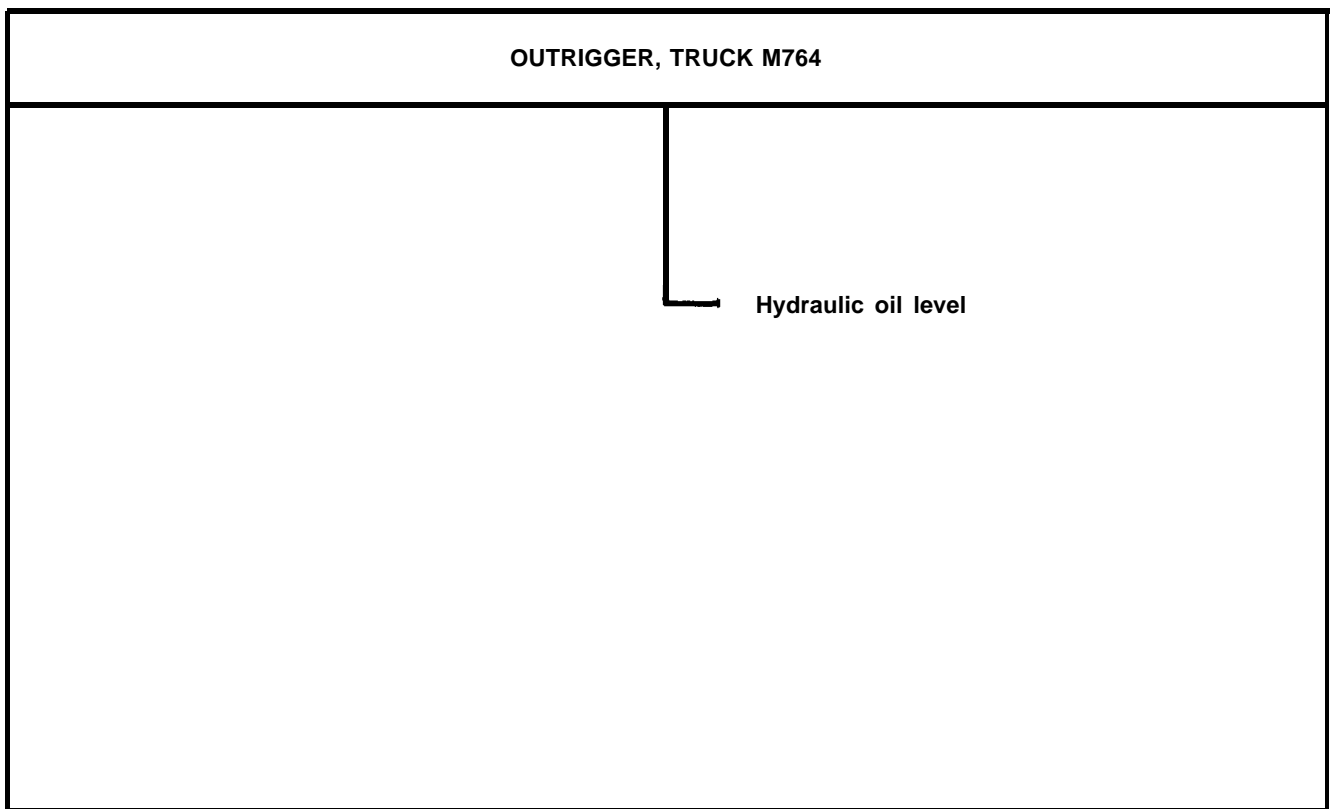


Figure 5-10. Troubleshooting Roadmap, Outrigger, Truck M764

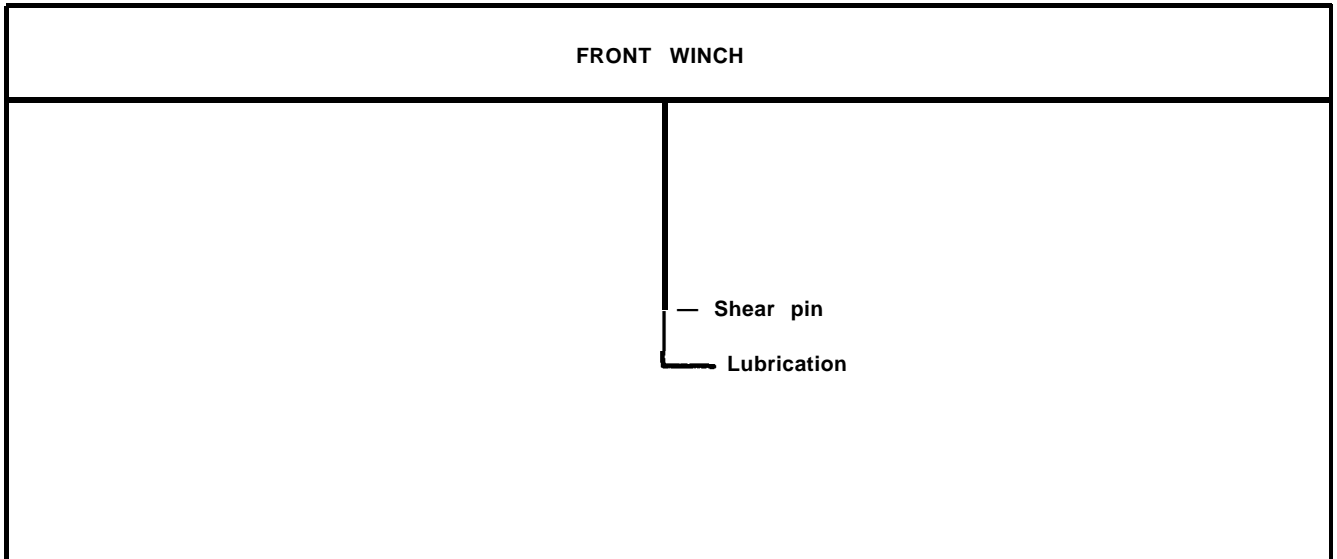


Figure 5-11. Troubleshooting Roadmap, Front Winch

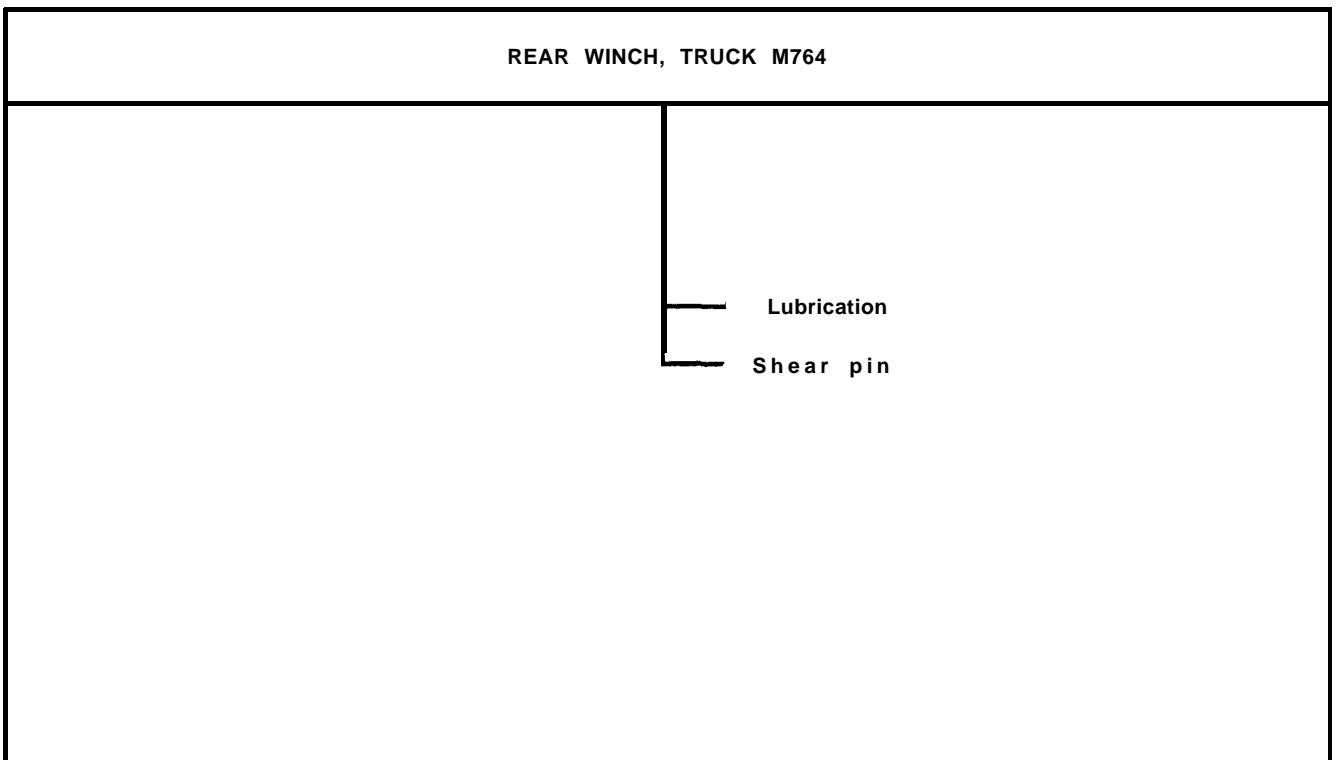


Figure 5-12. Troubleshooting Roadmap, Rear Winch, Truck M764

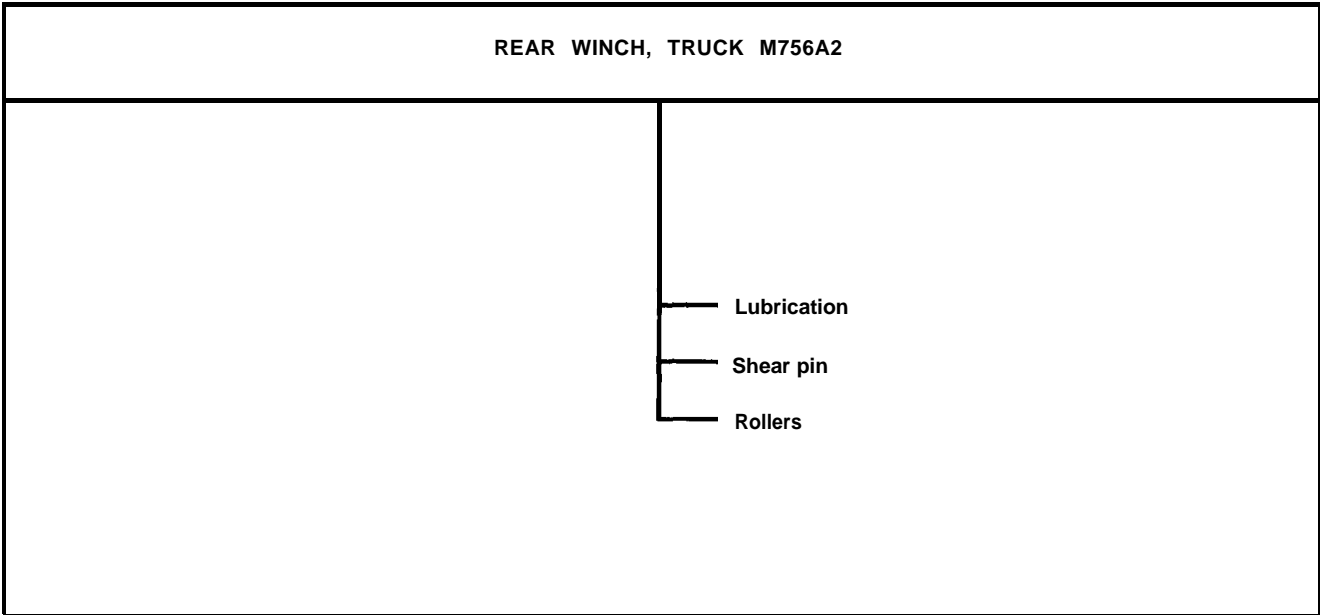


Figure 5-13. Troubleshooting Roadmap, Rear Winch, Truck M756A2

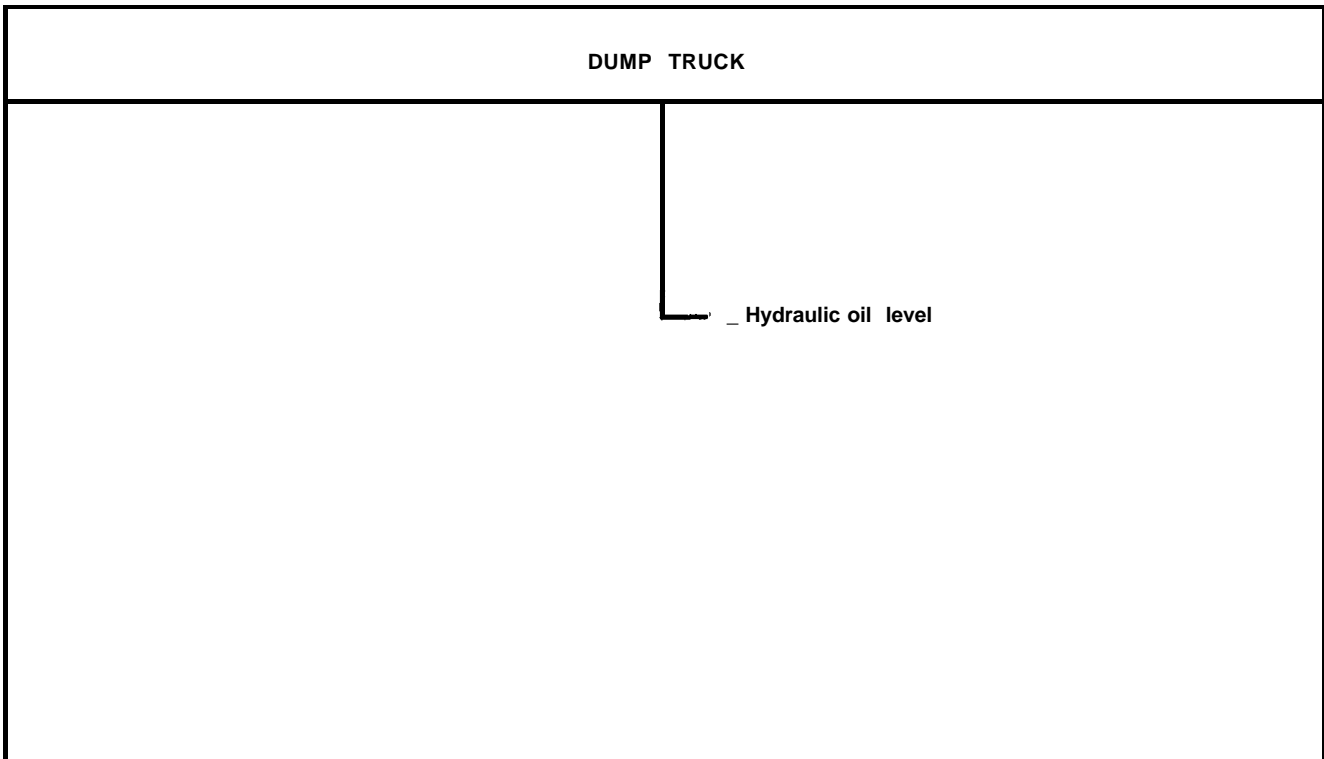


Figure 5-14. Troubleshooting Roadmap, Dump Truck

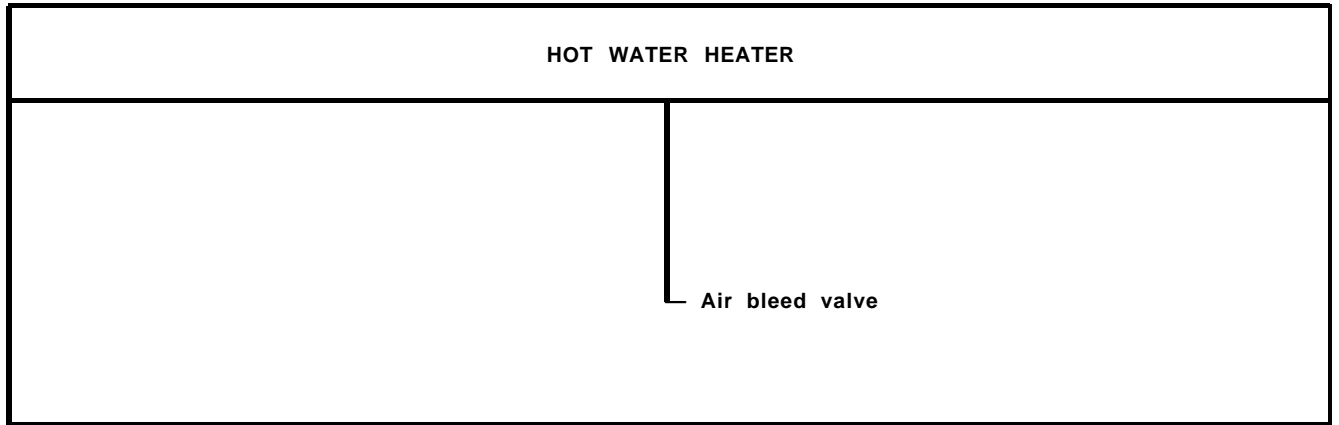


Figure 5-15. Troubleshooting Roadmap, Hot Water Heater

TA 113508

CHAPTER 6

FAULT, SYMPTOM INDEXES

6-1. GENERAL. This chapter gives troubleshooting fault symptom indexes for every system of the truck for which you have detailed troubleshooting procedures. These indexes are in table form (tables 6-1 through 6-15) which gives you a quick way to check what material you have to use to do your troubleshooting.

6-2. INDEXES. Each index is divided into columns which give you information you need to help you do troubleshooting procedures. The following breakdown tells you what is in each column.

a. Subsystem Column. If the main system is divided into subsystems, the subsystems will be listed in this column.

b. Symptom Column. This column lists the symptoms, or problems for which detailed troubleshooting procedures are given.

c. Summary Column. No summary troubleshooting procedures are needed at the operator's level of troubleshooting, so, the summary column is not used.

d. Detailed Column. This column tells you where to find the detailed troubleshooting procedure for each symptom.

e. Persons Column. This column tells you how many people are needed to do the troubleshooting procedure.

f. Special Tools Column. Any tools needed to do the troubleshooting procedure which are not included in your common tool kit are listed in this column.

g. Standard Tools Column. A dot in this column means that tools found in your common tool kit are needed to do the troubleshooting procedure.

h. Materials Column. This column tells you what materials are needed to do the troubleshooting procedure. These materials and how they will be issued will be decided by your maintenance officer.

i. Time Column. This column tells you how much time you will need to do the detailed troubleshooting procedure. The time will be decided by your maintenance officer.

FAULT SYMPTOM INDEX

TABLE 6-1. FUEL SYSTEM							
SUBSYSTEM	SYMPTOM	TS PROCEDURE		RESOURCES REQ'D			
		SUMMARY	DETAILED	PERSONS	TEST EQUIPMENT		MATERIALS
					SPECIAL TOOLS	STANDARD TOOLS	
							TIME
—	1. Engine is hard starting, or cranks and does not start	—	Figure 8-1	1	—	•	
—	2. Engine runs rough and lacks power, or gets poor fuel mileage	—	Figure 8-2	1	—	•	

TABLE 6-2. COOLING SYSTEM							
SUBSYSTEM	SYMPTOM	TS PROCEDURE		RESOURCES REQ'D			
		SUMMARY	DETAILED	PERSONS	TEST EQUIPMENT		MATERIALS
					SPECIAL TOOLS	STANDARD TOOLS	
							TIME
—	1. Engine temperature gage reads above 200°F while running	—	Figure 9-1	1	—	•	

FAULT SYMPTOM INDEX

TABLE 6-3. TRANSMISSION SYSTEM								
SUBSYSTEM	SYMPTOM	TS PROCEDURE		PERSONS	RESOURCES REQ'D			
		SUMMARY	DETAILED		TEST EQUIPMENT		MATERIALS	TIME
					SPECIAL TOOLS	STANDARD TOOLS		
-	1. Transmission makes noise	-	Figure 10-1	1	-	•		
-	2. Transmission leaks oil	-	Figure 10-2	1	-	•		

TABLE 6-4. TRANSFER SYSTEM								
SUBSYSTEM	SYMPTOM	TS PROCEDURE		PERSONS	RESOURCES REQ'D			
		SUMMARY	DETAILED		TEST EQUIPMENT		MATERIALS	TIME
					SPECIAL TOOLS	STANDARD TOOLS		
-	1. Transfer makes noise	-	Figure 11-1	1	-	•		
-	2. Transfer leaks oil	-	Figure 11-2	1	-	•		

FAULT SYMPTOM INDEX

TABLE 6-5. FRONT AXLE SYSTEM								
SUBSYSTEM	SYMPTOM	TS PROCEDURE		RESOURCES REQ'D				
		SUMMARY	DETAILED	PERSONS	TEST EQUIPMENT		MATERIALS	TIME
					SPECIAL TOOLS	STANDARD TOOLS		
-	1. Front axle makes noise	-	Figure 12-1	1	-	•		

TABLE 6-6. REAR AXLE SYSTEM								
SUBSYSTEM	SYMPTOM	TS PROCEDURE		RESOURCES REQ'D				
		SUMMARY	DETAILED	PERSONS	TEST EQUIPMENT		MATERIALS	TIME
					SPECIAL TOOLS	STANDARD TOOLS		
-	1. Rear axle makes noise	-	Figure 13-1	1	-	•		

TA 113511

FAULT SYMPTOM INDEX

TABLE 6-7. BRAKE SYSTEM								
SUBSYSTEM	SYMPTOM	TS PROCEDURE		RESOURCES REQ'D				
		SUMMARY	DETAILED	PERSONS	TEST EQUIPMENT		MATERIALS	TIME
					SPECIAL TOOLS	STANDARD TOOLS		
—	1. Brake pedal sinks close to floor board	—	Figure 14-1	1	—	•		
—	2. Truck pulls to one side when brakes are put on	—	Figure 14-2	1	Tire inflation gage			
—	3. Buzzer does not shut off and air pressure gage reads below 65 PSI	—	Figure 14-3	1	.	•		
—	4. Buzzer does not shut off and air pressure gage reads below 60 PSI on trucks M275A1 and M275A2	—	Figure 14-4	1	-	•		
—	5. Hand brake does not hold parked truck	—	Figure 14-5	1	-	•		
—	6. Trailer brakes do not work when pedal is pressed or hand control lever is used	—	Figure 14-6	1	-	•		

FAULT SYMPTOM INDEX

TABLE 6-8. WHEEL SYSTEM								
SUBSYSTEM	SYMPTOM	TS PROCEDURE		RESOURCES REQ'D				
		SUMMARY	DETAILED	PERSONS	TEST EQUIPMENT		MATERIALS	TIME
					SPECIAL TOOLS	STANDARD TOOLS		
—	1. Shimmy	—	Figure 15-1	1	—	•		
—	2. Hard steering	—	Figure 15-2	1	Tire inflation gage			

TABLE 6-9. STEERING SYSTEM								
SUBSYSTEM	SYMPTOM	TS PROCEDURE		RESOURCES REQ'D				
		SUMMARY	DETAILED	PERSONS	TEST EQUIPMENT		MATERIALS	TIME
					SPECIAL TOOLS	STANDARD TOOLS		
—	1. Hard steering	—	Figure 16-1	1	Tire inflation gage			

FAULT SYMPTOM INDEX

TABLE 6-10. OUTRIGGER, TRUCK M764								
SUBSYSTEM	SYMPTOM	TS PROCEDURE		RESOURCES REQ'D				
		SUMMARY	DETAILED	PERSONS	TEST EQUIPMENT		MATERIALS	TIME
					SPECIAL TOOLS	STANDARD TOOLS		
—	1. Both outriggers do not extend or retract	—	Figure 17-1	1	—			

TABLE 6-11. FRONT WINCH								
SUBSYSTEM	SYMPTOM	TS PROCEDURE		RESOURCES REQ'D				
		SUMMARY	DETAILED	PERSONS	TEST EQUIPMENT		MATERIALS	TIME
					SPECIAL TOOLS	STANDARD TOOLS		
—	1. Winch does not pull load	—	Figure 18-1	1	—	—		
—	2. Winch makes noise	—	Figure 18-2	1	—			

TA 113514

TABLE 6-12. REAR WINCH, TRUCK M764								
SUBSYSTEM	SYMPTOM	TS PROCEDURE		RESOURCES REQ'D				
		SUMMARY	DETAILED	PERSONS	TEST EQUIPMENT		MATERIALS	TIME
					SPECIAL TOOLS	STANDARD TOOLS		
-	1. Winch makes noise	-	Figure 19-1	1				
-	2. Winch does not pull load	-	Figure 19-2	1		•		

TABLE 6-13, REAR WINCH, TRUCK M756A2								
SUBSYSTEM	SYMPTOM	TS PROCEDURE		RESOURCES REQ'D				
		SUMMARY	DETAILED	PERSONS	TEST EQUIPMENT		MATERIALS	TIME
					SPECIAL TOOLS	STANDARD TOOLS		
-	1. Winch makes noise	-	Figure 20-1	1				
-	2. Winch does not pull load	-	Figure 20-2			•		
-	3. Tailboard roller binds, or does not turn	-	Figure 20-3	1				

FAULT SYMPTOM INDEX

TABLE 6-14 DUMP TRUCK								
SUBSYSTEM	SYMPTOM	TS PROCEDURE		RESOURCES REQ'D				
		SUMMARY	DETAILED	PERSONS	TEST EQUIPMENT		MATERIALS	TIME
					SPECIAL TOOLS	STANDARD TOOLS		
—	1. Dump body does not rise	—	Figure 21-1	1	—			

TABLE 6-15 HOT WATER HEATER								
SUBSYSTEM	SYMPTOM	TS PROCEDURE		RESOURCES REQ'D				
		SUMMARY	DETAILED	PERSONS	TEST EQUIPMENT		MATERIALS	TIME
					SPECIAL TOOLS	STANDARD TOOLS		
—	1. Heater and defroster do not work right	—	Figure 22-1	1	—	•		

TA 113516

CHAPTER 7

SAMPLE TROUBLESHOOTING PROCEDURE

7-1. GENERAL. This chapter gives a sample troubleshooting procedure. The purpose of the sample procedure is to help you see how the detailed troubleshooting procedures are used to find faults in a system.

7-2. SAMPLE PROCEDURE. The sample procedure given is the fuel system troubleshooting procedure for the symptom, ENGINE IS HARD STARTING, OR CRANKS AND DOES NOT START. This symptom is one you will have when you try to start your truck and certain parts on the truck are not working correctly. In each numbered box, instructions are given which tell you what to do, and how to do it. A large dot is placed next to the "what to do" instructions, and small dots next to the "how to do it" instructions.

a. Box number ① gives general instructions on getting the truck ready before you start to troubleshoot.

b. Box number ② gives a fault isolation test instruction. In this case, you are told to see if the engine stop (ENG STOP) control handle is pushed in. After you do this simple test, you read the question at the bottom of box number ②. If the ENG STOP control handle is pulled out, the answer to the question is NO, so you go to the next box.

c. Box number ③ gives you a corrective action. In this case, the fault is the ENG STOP control handle being pulled out. The corrective action is what you do to fix the fault, which is simply to push the handle back in. If the engine still doesn't start after you do this, it could mean that there are other faults in the fuel system besides the ENG STOP control handle. When this happens, go back to the beginning of the procedure and do each step again until you find the other faults.

d. Sometimes the corrective actions given for a fault will tell you what to do to fix the fault, but will not give you detailed instructions on how to fix it. Instead, you will be told to refer to another volume in this manual for these instructions. Box number ⑤ is an example of this. If the answer to the questions that all the fault isolation test instruction boxes ask is YES, it means that the symptom cannot be corrected at the operator level of maintenance. When this happens you are given the instruction "Tell Organizational Maintenance."

Symptom

1 ENGINE IS HARD STARTING, OR CRANKS AND DOES NOT START

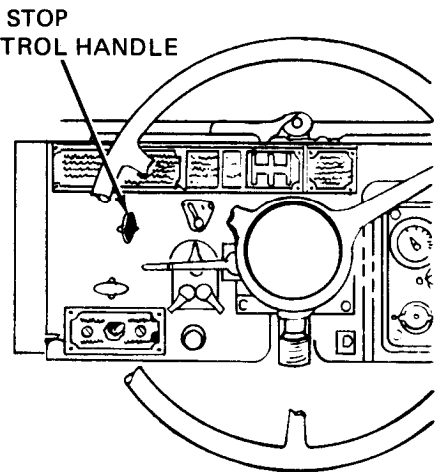
WARNING
Diesel fuel is very flammable. Care must be used when choosing a place to work on fuel system. Keep truck about 50 feet away from an area where open flame, sparks, or smoking may cause a fire. Keep a fire extinguisher close by

1 ● Make truck ready for work on fuel system
● Find a well ventilated area
● Park truck. Refer to Vol 1, chapter 4, para 4-6e

GENERAL INSTRUCTIONS

2 ● Check engine stop control
● See if ENG STOP control handle has been pushed in
Is ENG STOP control handle OK?

FAULT ISOLATION TEST INSTRUCTION



3 ● Reset engine stop control
● Push in and turn ENG STOP control handle until it stops

CORRECTIVE ACTION

YES NO

GO

Figure 7-1 (Sheet 1 of 3)

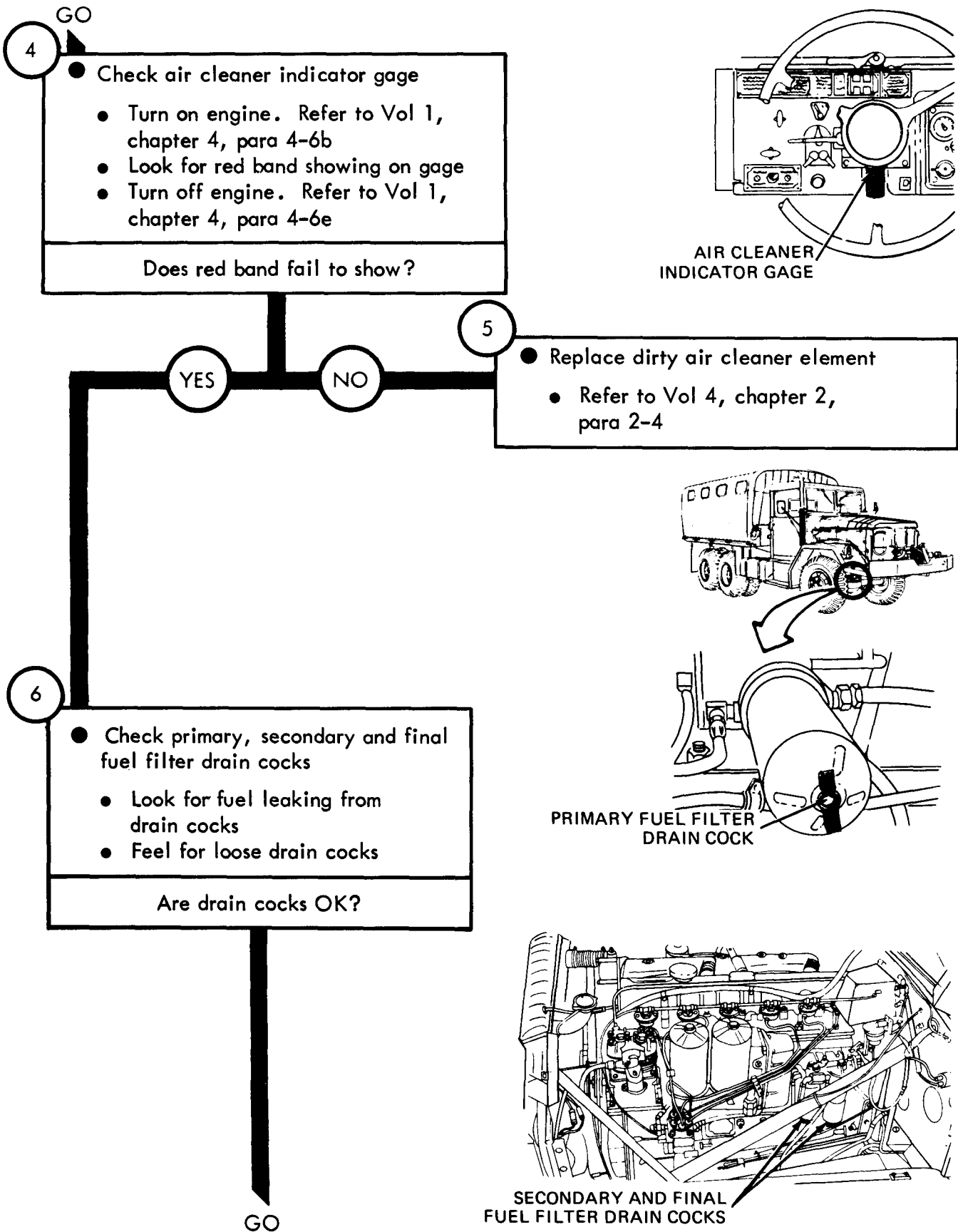


Figure 7-1 (Sheet 2 of 3)

TA 113532

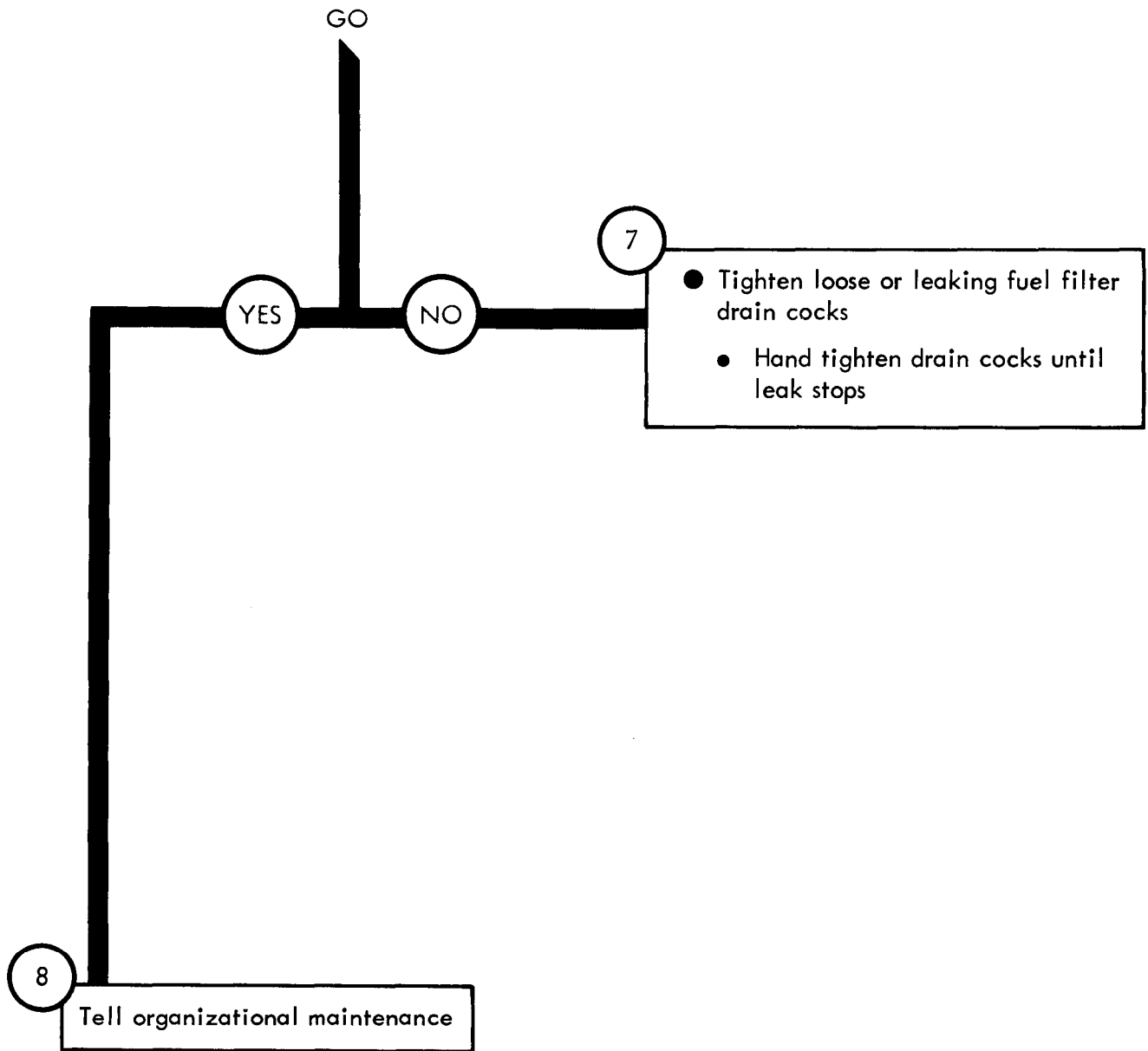


Figure 7-1 (Sheet 3 of 3)

CHAPTER 8

FUEL SYSTEM TROUBLESHOOTING PROCEDURES

8-1. GENERAL. Detailed troubleshooting procedures for the fuel system are given in this chapter.

8-2. PROCEDURES . These troubleshooting procedures are used the same way as the sample troubleshooting procedure given in chapter 7.

FUEL SYSTEM TROUBLESHOOTING

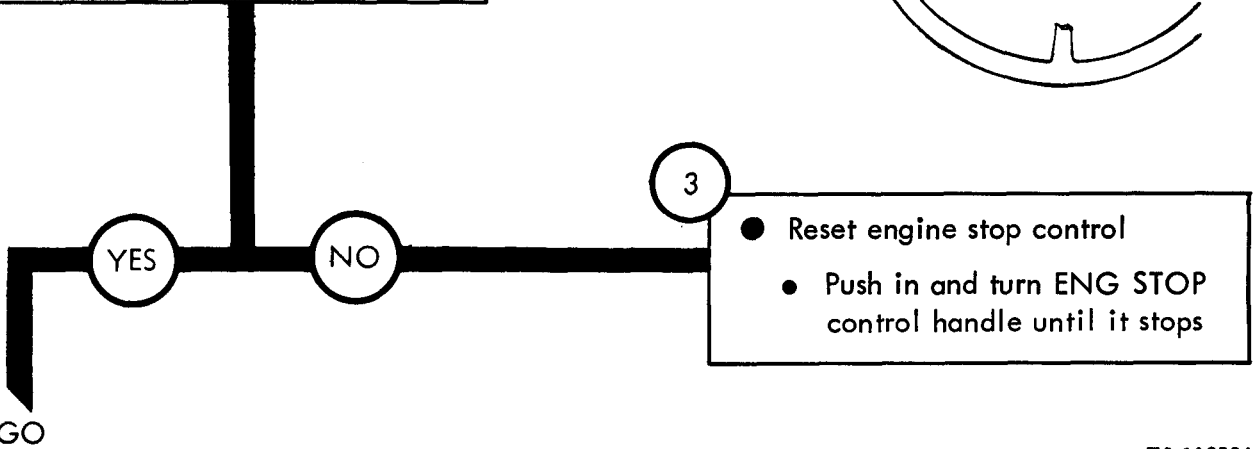
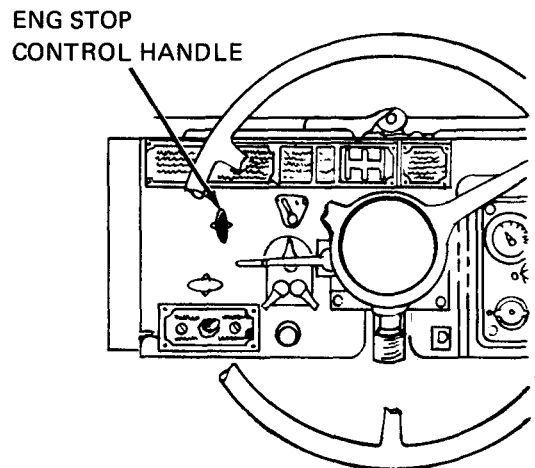
Symptom

1 ENGINE IS HARD STARTING, OR CRANKS AND DOES NOT START

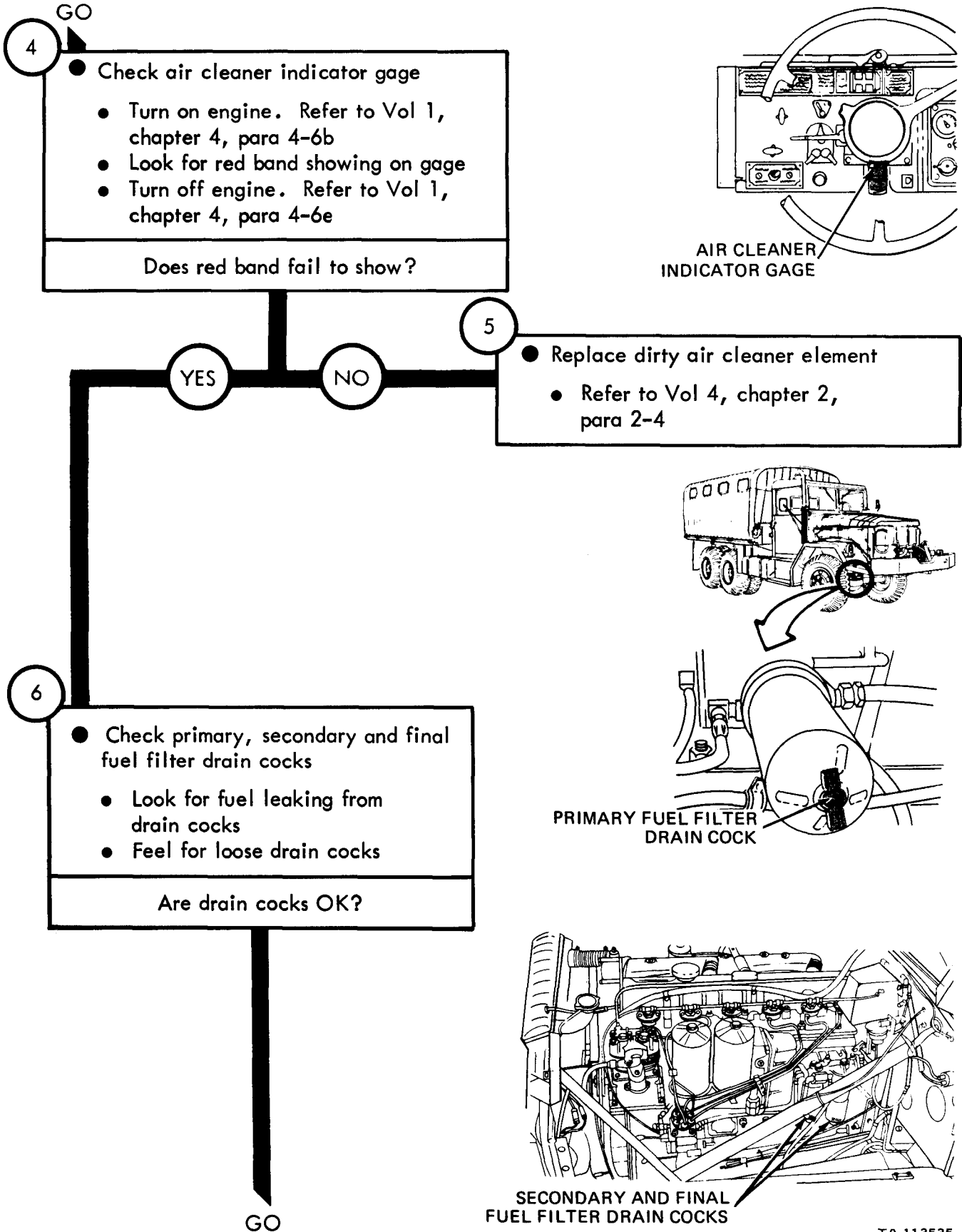
WARNING
Diesel fuel is very flammable. Care must be used when choosing a place to work on fuel system. Keep truck about 50 feet away from an area where open flame, sparks, or smoking may cause a fire. Keep a fire extinguisher close by

- 1
- Make truck ready for work on fuel system
 - Find a well ventilated area
 - Park truck. Refer to Vol 1, chapter 4, para 4-6e

- 2
- Check engine stop control
 - See if ENG STOP control handle has been pushed in
- Is ENG STOP control handle OK?

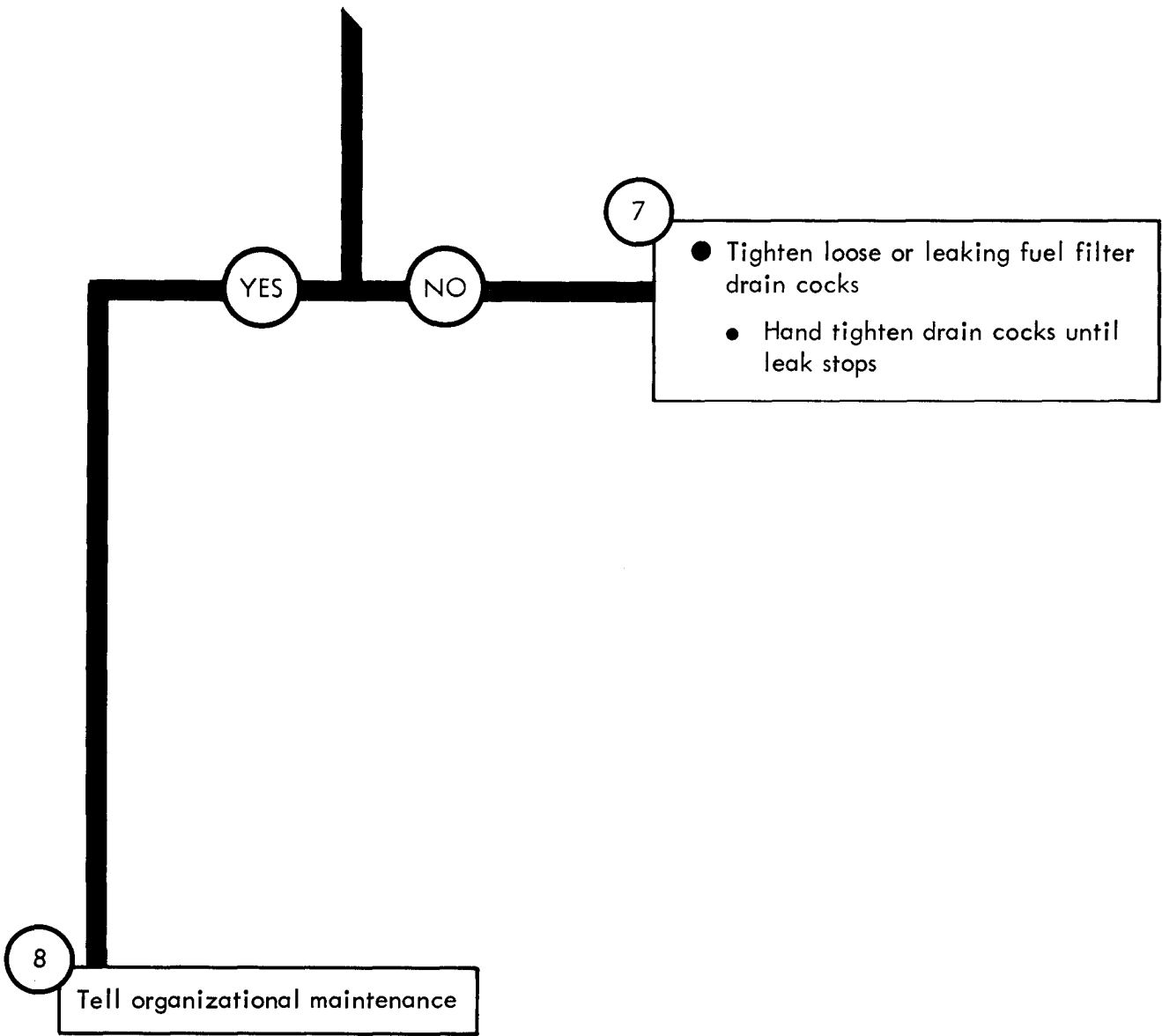


TA 113534



TA 113535

Figure 8-1 (Sheet 2 of 3)



Symptom

2

ENGINE RUNS ROUGH AND LACKS POWER, OR GETS POOR FUEL MILEAGE

WARNING

Diesel fuel is very flammable. Care must be used when choosing a place to work on fuel system. Keep truck about 50 feet away from an area where open flame, sparks, or smoking may cause a fire. Keep a fire extinguisher close by

1

- Make truck ready for work on fuel system
 - Find a well ventilated area
 - Park truck. Refer to Vol 1, chapter 4, para 4-6e

- Check air cleaner indicator gage
 - Turn on engine. Refer to Vol 1, chapter 4, para 4-6b
 - Look for red band showing on gage
 - Turn off engine. Refer to Vol 1, Chapter 4, para 4-6e

Is red band hidden?

GO

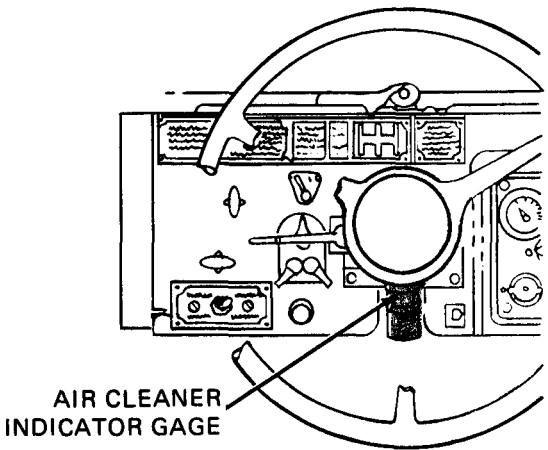
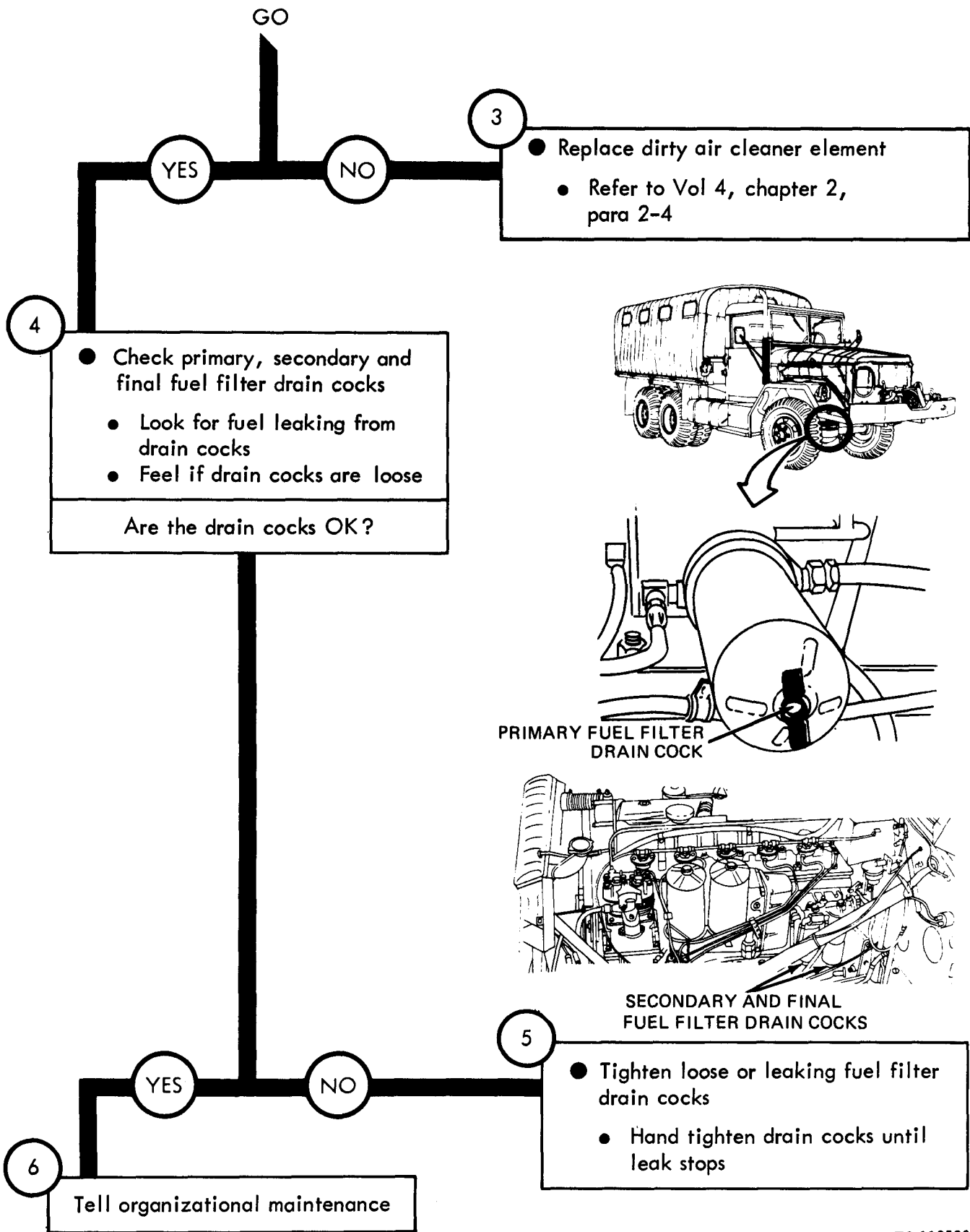
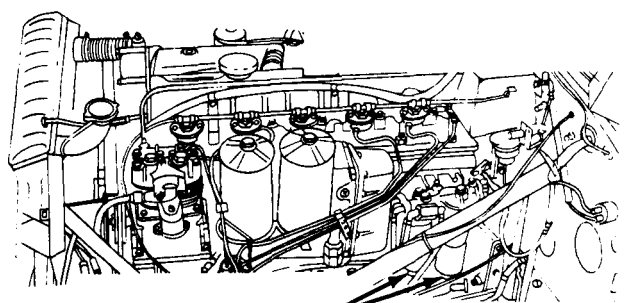
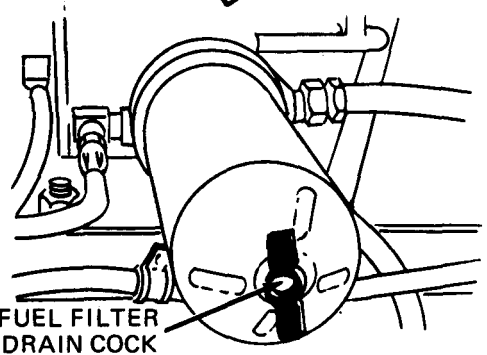
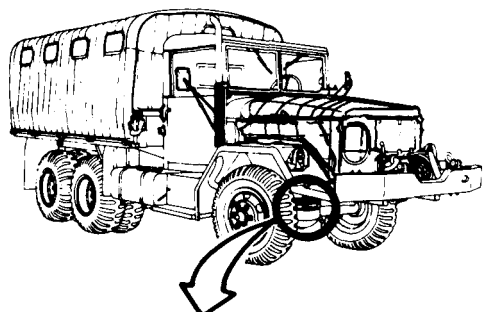


Figure 8-2 (Sheet 1 of 2)



- Replace dirty air cleaner element
- Refer to Vol 4, chapter 2, para 2-4



SECONDARY AND FINAL FUEL FILTER DRAIN COCKS

- Tighten loose or leaking fuel filter drain cocks
- Hand tighten drain cocks until leak stops

- Check primary, secondary and final fuel filter drain cocks
 - Look for fuel leaking from drain cocks
 - Feel if drain cocks are loose
- Are the drain cocks OK?

Tell organizational maintenance

CHAPTER 9

COOLING SYSTEM TROUBLESHOOTING PROCEDURES

9-1. GENERAL. Detailed troubleshooting procedures for the cooling system are given in this chapter.

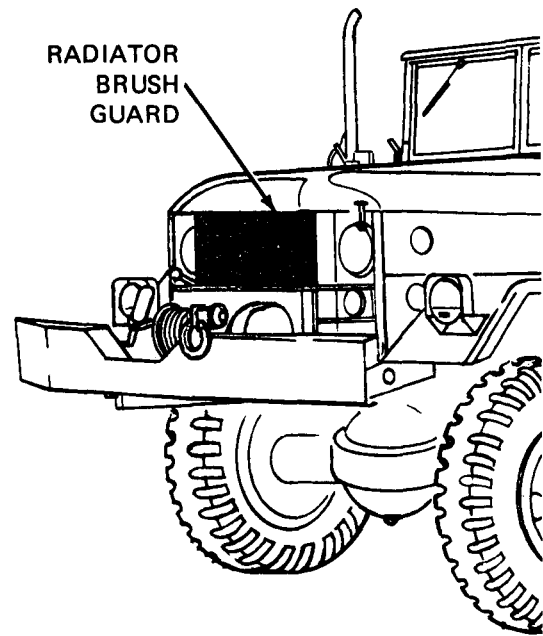
9-2. PROCEDURES. These troubleshooting procedures are used the same way as the sample troubleshooting procedure given in chapter 7.

Symptom

1 ENGINE TEMPERATURE GAGE READS ABOVE 200° WHILE RUNNING

- 1
- Make truck ready for work on cooling system
 - Park truck. Refer to Vol 1, chapter 4, para 4-6e
 - Chock wheels

- 2
- Check radiator brush guard assembly
 - Look for anything that will block the air flow to the radiator
- Is front radiator guard clear?



- YES
- NO
- 3
- Clean blockage away from radiator
 - Clear away blockage
 - Blow away blockage with compressed air

GO

GO

WARNING

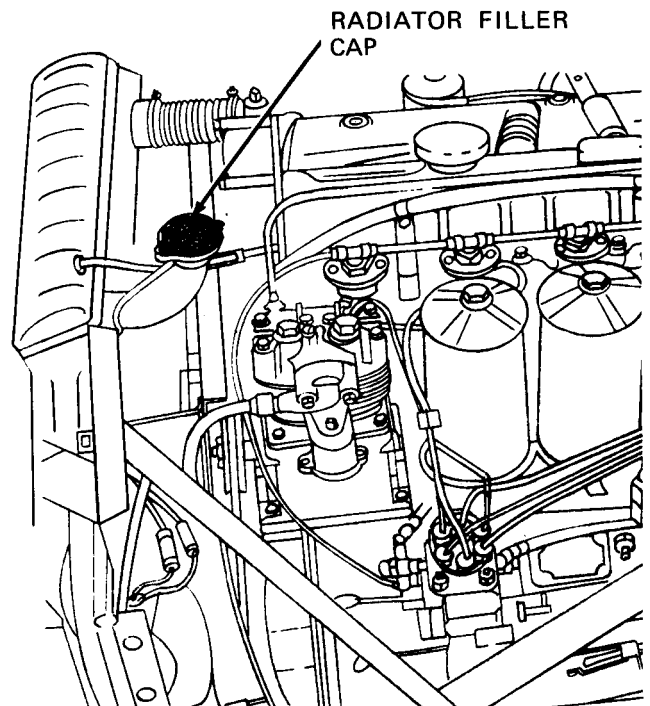
Engine cooling system runs under pressure, and at a temperature of 165° F, to 195° F. If filler cap is taken off before pressure is set free scalding coolant will blow out. Due to high temperature of coolant, bad burns can occur if contact is made with skin

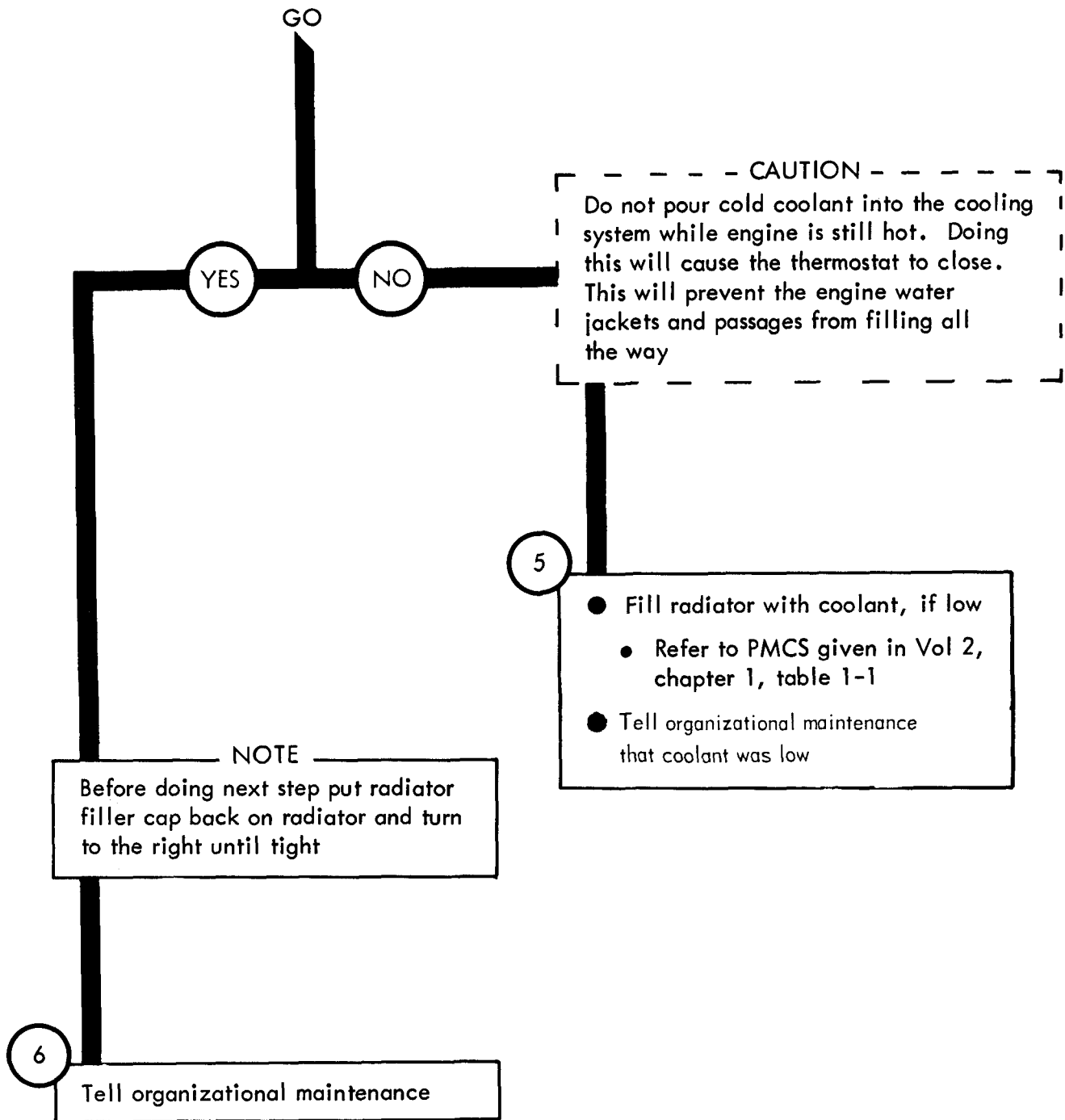
4

- Check radiator coolant level
 - Using rag, grab radiator filler cap and turn to the left until it reaches stop
 - Wait about 30 seconds, or until all pressure has been set free
 - Using rag, push down on cap and turn to left. Take off cap
 - Look inside radiator and see if coolant level is within two inches from top

Is radiator coolant level OK?

GO





CHAPTER 10

TRANSMISSION SYSTEM TROUBLESHOOTING PROCEDURES

10-1. GENERAL. Detailed troubleshooting procedures for the transmission system are given in this chapter.

10-2. PROCEDURES. These troubleshooting procedures are used the same way as the sample troubleshooting procedure given in chapter 7.

TRANSMISSION SYSTEM TROUBLESHOOTING

Symptom

1 TRANSMISSION MAKES NOISE

- 1
- Make truck ready for work on transmission
 - Park truck. Refer to Vol 1, chapter 4, para 4-6e

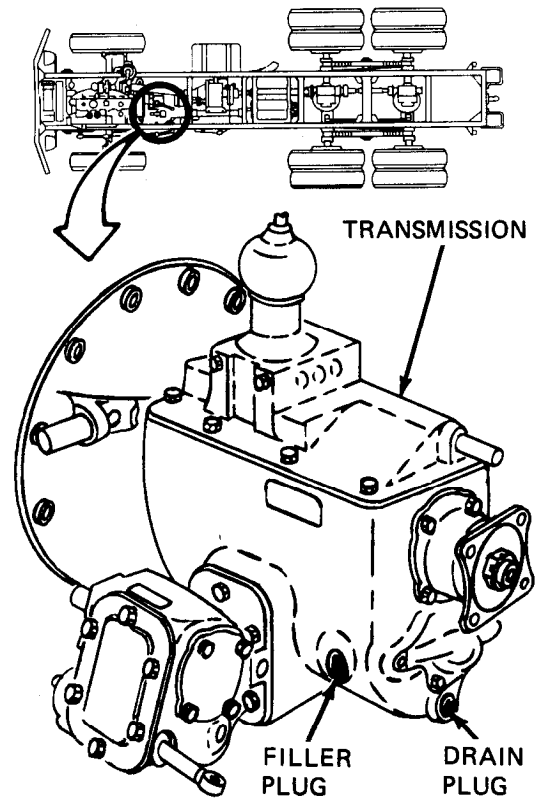
WARNING

Transmission casing and gear oil get very hot when truck is being run. After truck is stopped, wait until it has had time to cool off before doing any work on transmission

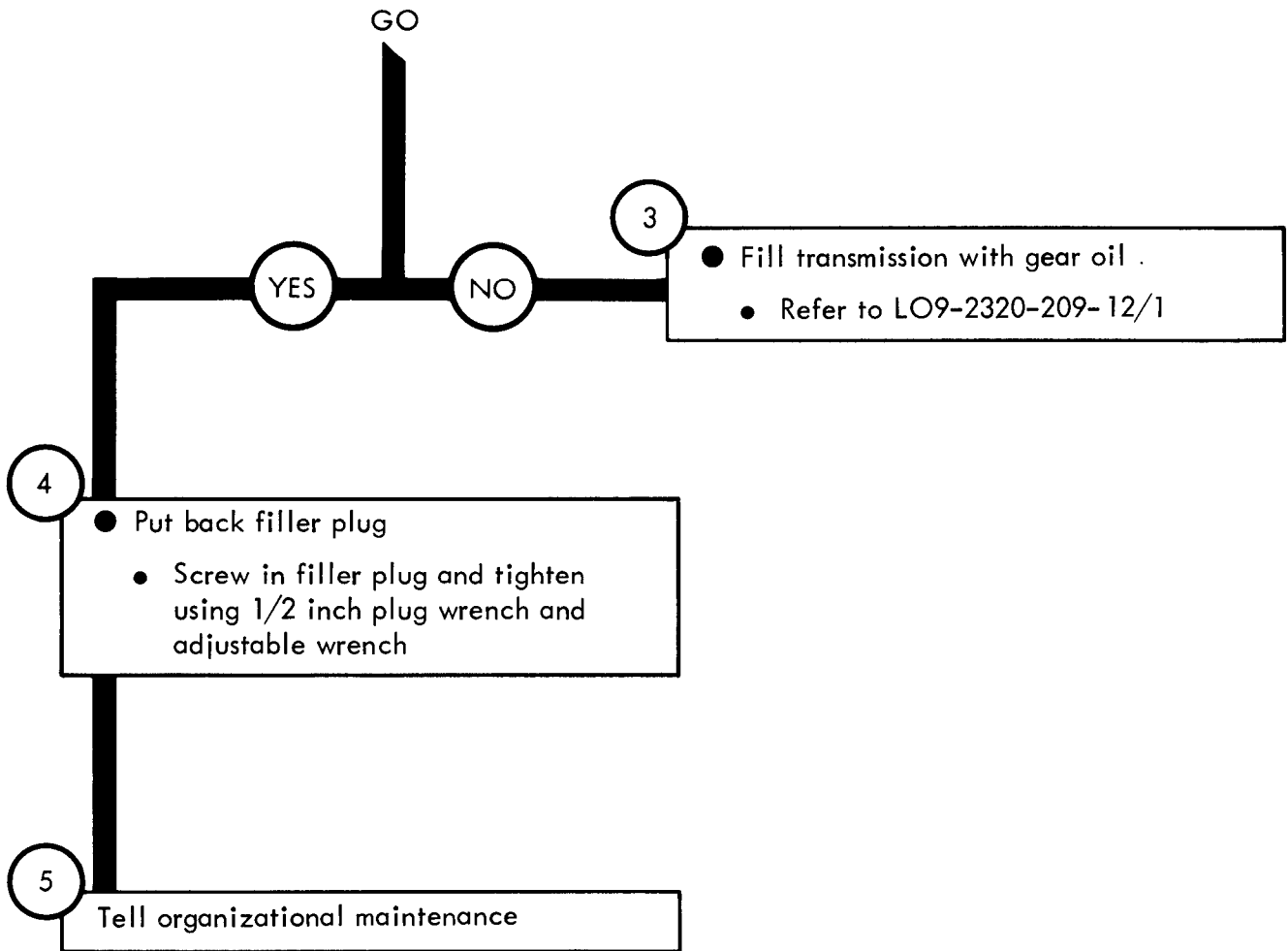
- 2
- Check transmission fluid level and leakage
 - Crawl under truck
 - See if drain plug is leaking
 - Using 1/2 inch plug wrench and adjustable wrench unscrew and take out transmission filler plug
 - Put finger in filler plug hole and feel if oil level is up to filler plug hole

Is fluid OK?

GO



TS 209-10-21



Symptom

2

TRANSMISSION LEAKS OIL

1

- Make truck ready for work on transmission
 - Park truck. Refer to Vol 1, chapter 4, para 4-6e

2

- Check transmission drain and filler plugs
 - Crawl under truck
 - Look for signs of oil leaking from plugs

Are plugs OK?

YES

NO

3

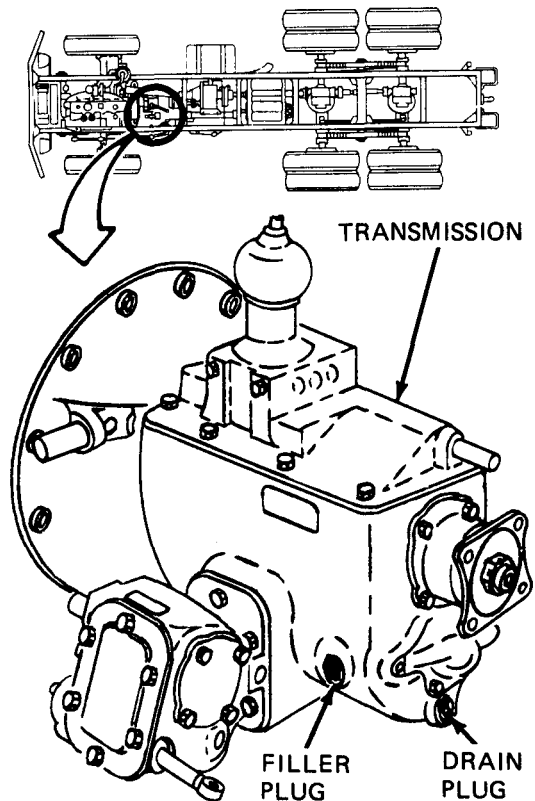
- Tighten leaking plugs
 - Using 1/2 inch plug wrench and adjustable wrench, tighten transmission drain plug

Note: Before doing next step oil level in transmission must be topped off. Refer to LO 9-2320-209-12/1

 - Using 1/2 inch plug wrench and adjustable wrench, tighten transmission filler plug

4

Tell organizational maintenance



CHAPTER 11

TRANSFER SYSTEM TROUBLESHOOTING PROCEDURES

11-1. GENERAL. Detailed troubleshooting procedures for the transfer system are given in this chapter.

11-2. PROCEDURES. These troubleshooting procedures are used the same way as the sample troubleshooting procedure given in chapter 7.

TRANSFER SYSTEM TROUBLESHOOTING

Symptom

1 TRANSFER MAKES NOISE

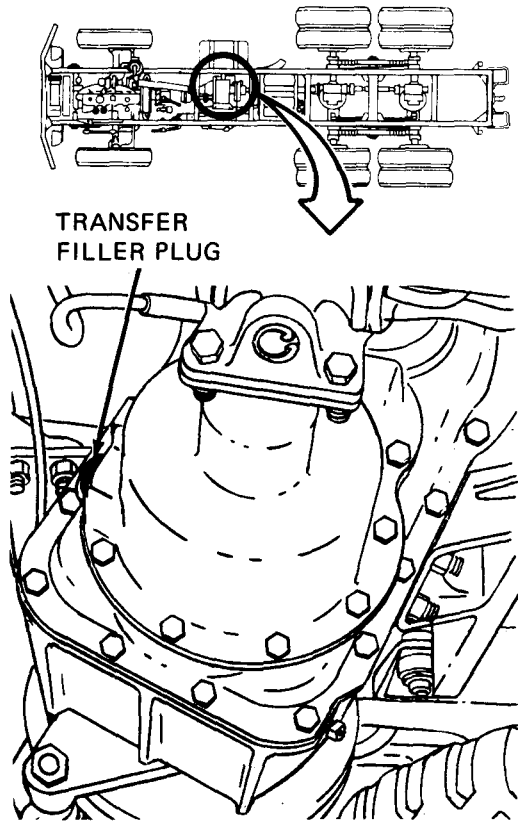
- 1
- Make truck ready for work on transfer
 - Park truck. Refer to Vol 1, chapter 4, para 4-6e

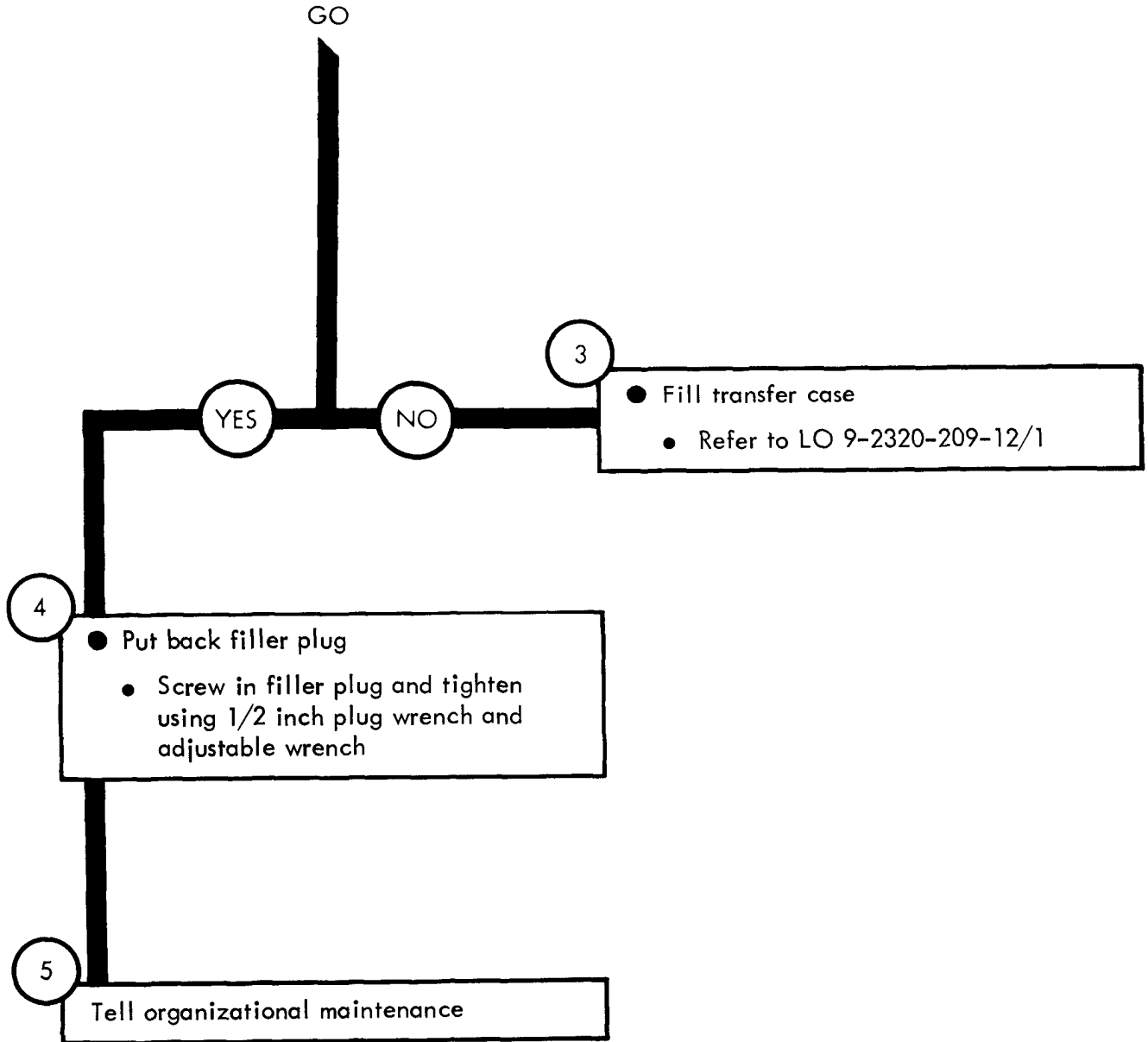
WARNING

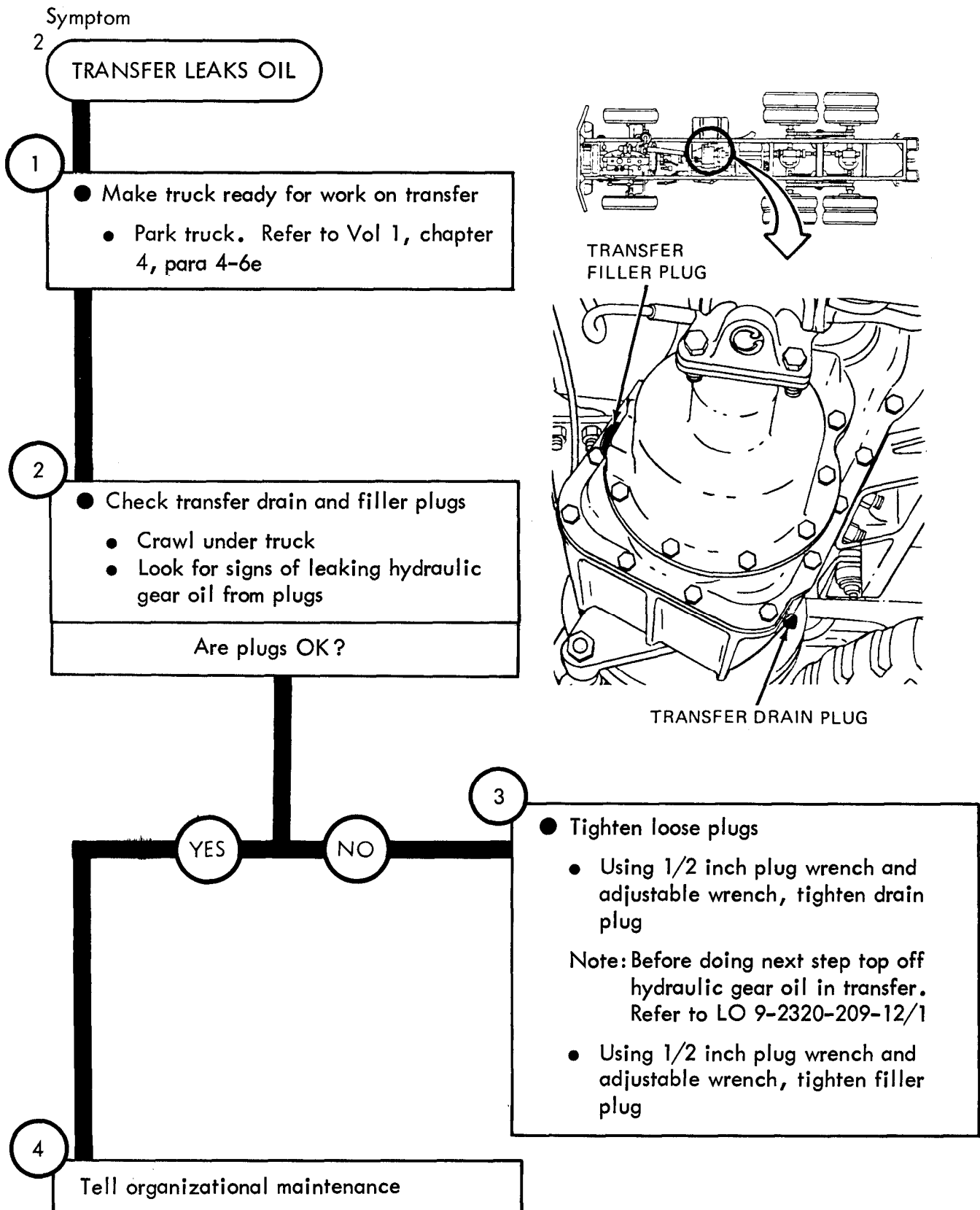
Transfer casing and gear oil get very hot when truck is being run. After truck is stopped, wait until it has had time to cool off before doing any work on transfer

- 2
- Check hydraulic gear oil level in transfer
 - Crawl under truck
 - Using 1/2 inch plug wrench and adjustable wrench, unscrew and take off transfer case filler plug
 - Put finger in filler plug hole to feel if transfer is full
- Is transfer case full?

GO







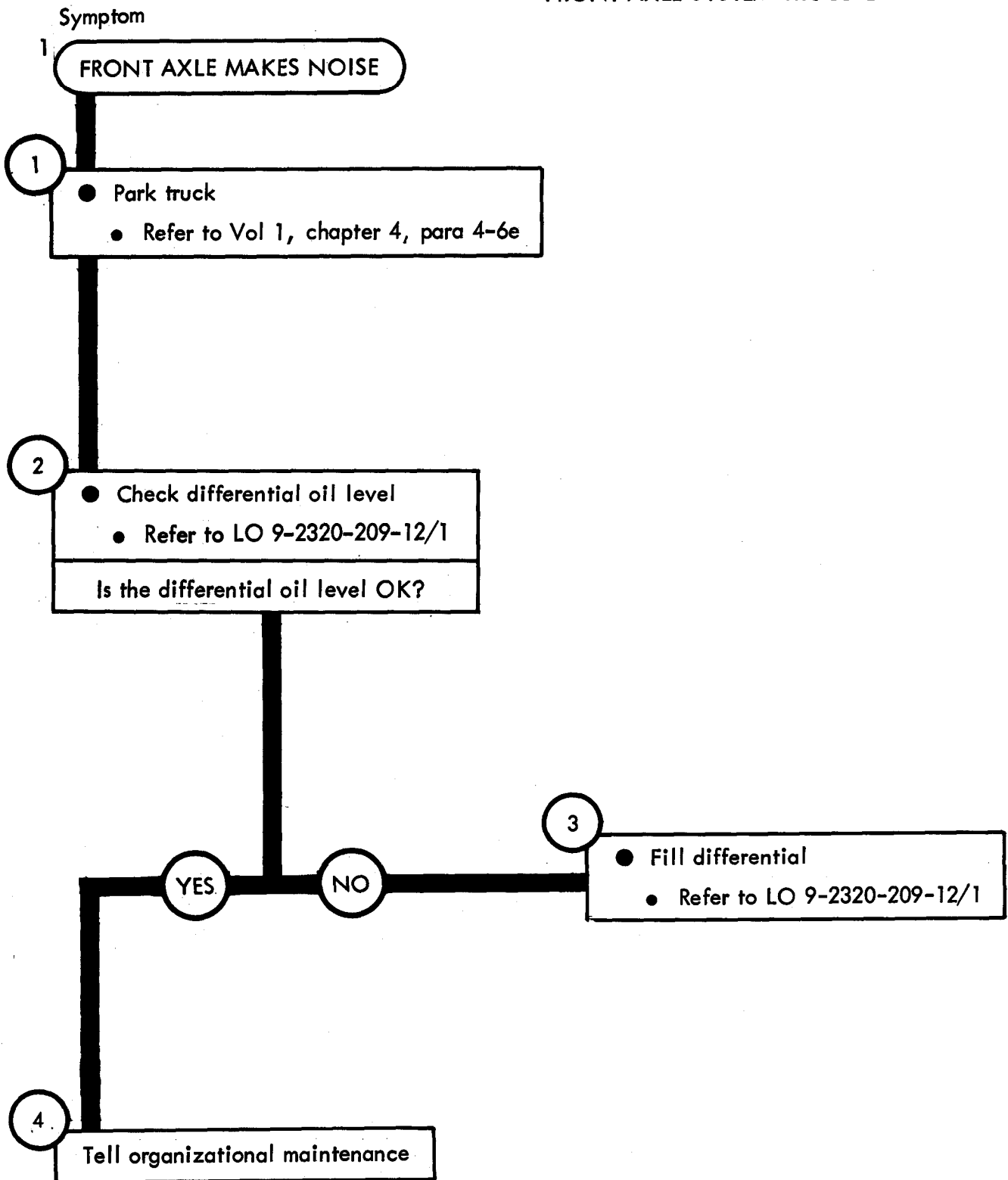
CHAPTER 12

FRONT AXLE SYSTEM TROUBLESHOOTING PROCEDURES

12-1. GENERAL. Detailed troubleshooting procedures for the front axle system are given in this chapter.

12-2. PROCEDURES. These troubleshooting procedures are used the same way as the sample troubleshooting procedure given in chapter 7.

FRONT AXLE SYSTEM TROUBLESHOOTING



TA 113548

CHAPTER 13

REAR AXLE SYSTEM TROUBLESHOOTING PROCEDURES

13-1. GENERAL. Detailed troubleshooting procedures for the rear axle system are given in this chapter.

13-2. PROCEDURES. These troubleshooting procedures are used the same way as the sample troubleshooting procedure given in chapter 7.

REAR AXLE SYSTEM TROUBLESHOOTING

Symptom

1 REAR AXLE MAKES NOISE

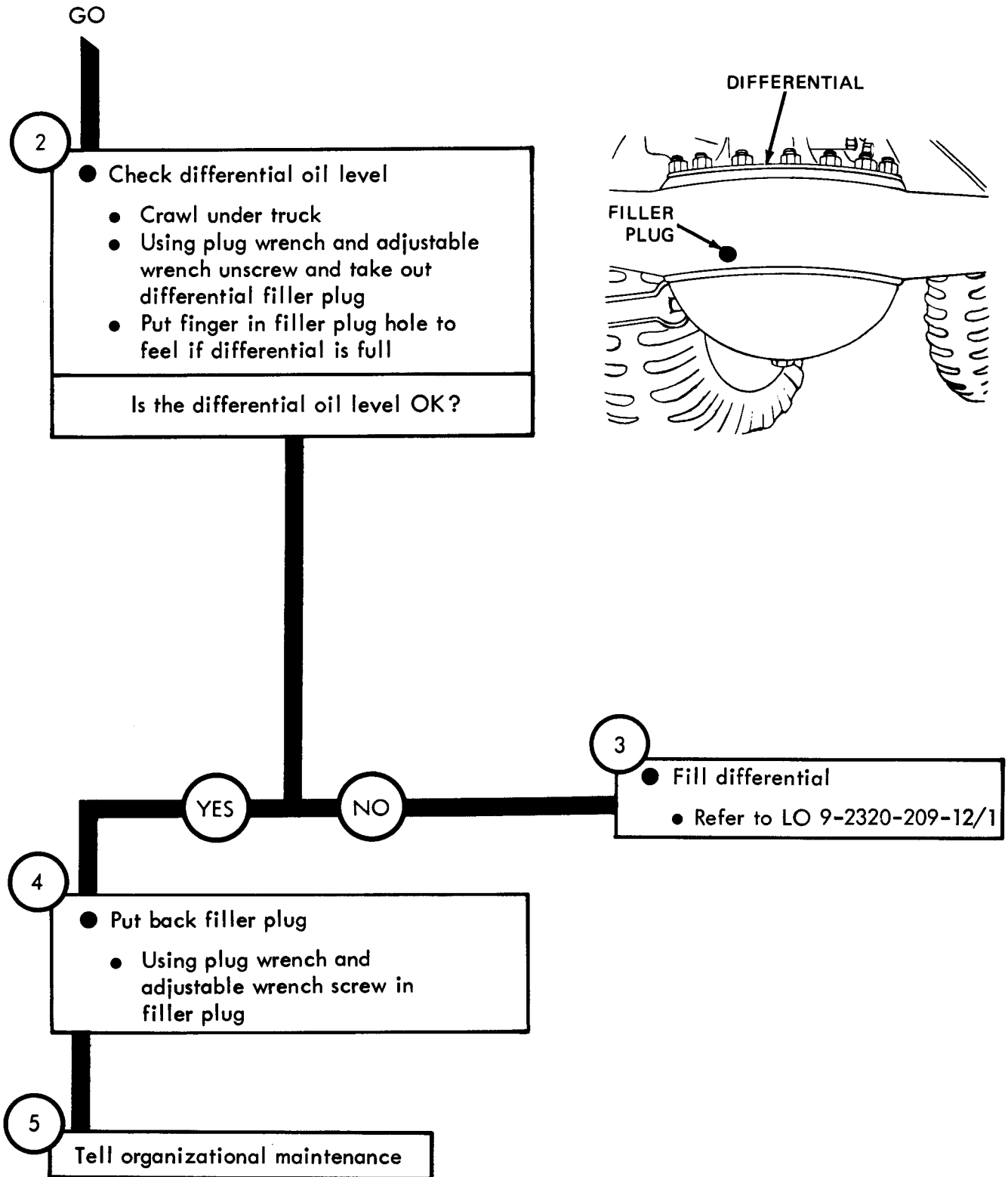
- 1
- Make truck ready for work on rear axle
 - Park truck. Refer to Vol 1, chapter 4, para 4-6e
 - Chock wheels

WARNING

Gear oil in differential will be very hot just after the truck has been run, and parked. Wait until truck cools off before doing any work on rear axle

GO

TA 113549



TA 113550

CHAPTER 14

BRAKE SYSTEM TROUBLESHOOTING PROCEDURES

14-1. GENERAL. Detailed troubleshooting procedures for the brake system are given in this chapter.

14-2. PROCEDURES. These troubleshooting procedures are used the same way as the sample troubleshooting procedure given in chapter 7.

BRAKE SYSTEM TROUBLESHOOTING

Symptom

1 BRAKE PEDAL SINKS CLOSE TO FLOORBOARD

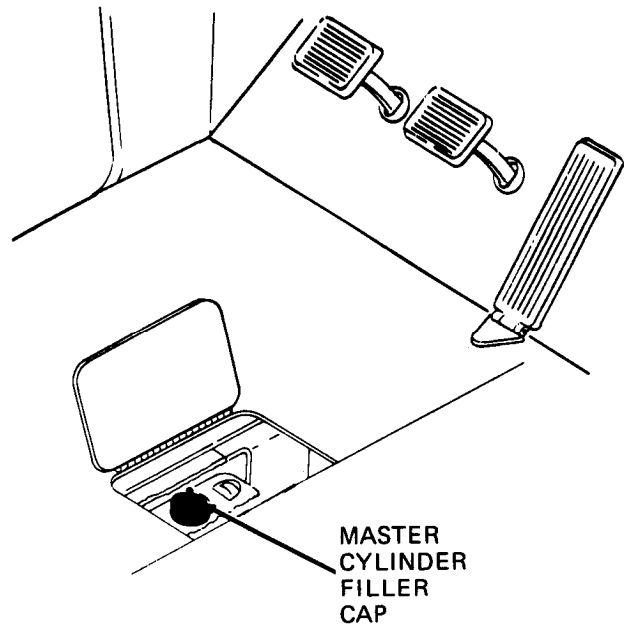
1

- Park truck
- Refer to Vol 1, chapter 4, para 4-6e

2

- Check hydraulic brake fluid in master cylinder
 - Using screwdriver, open master cylinder access hatch on driver's side of cab floor.
 - Using adjustable wrench, unscrew and take off master cylinder filler cap
 - Using a flashlight, shine light into master cylinder reservoir to see if fluid level is low

Is hydraulic brake fluid level OK?



YES

NO

CAUTION

To be sure that the brake system works right use a non-petroleum base hydraulic fluid only

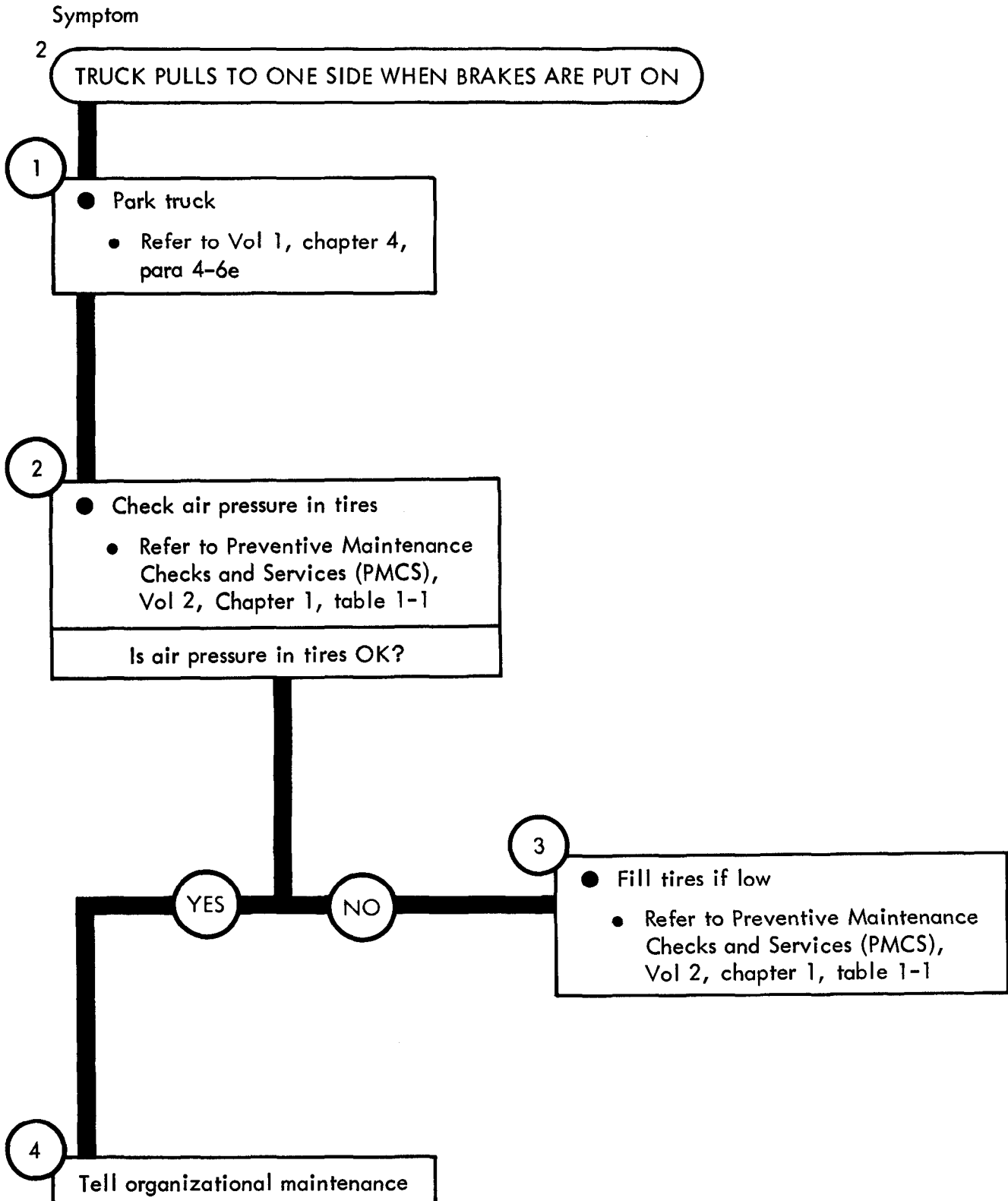
3

- Fill master cylinder reservoir
- Refer to LO 9-2320-209-12/1
- Tell organizational maintenance that fluid level was low

4

Tell organizational maintenance

TA 113551



TA 113552

Figure 14-2

Symptom

3 BUZZER DOES NOT SHUT OFF AND AIR PRESSURE GAGE READS BELOW 65 PSI

1

- Turn engine off
 - Refer to Vol 1, chapter 4, para 4-6e

2

- Check air reservoir drain valve under left side running board
 - Feel if drain valve is loose

Is air reservoir drain valve tight?

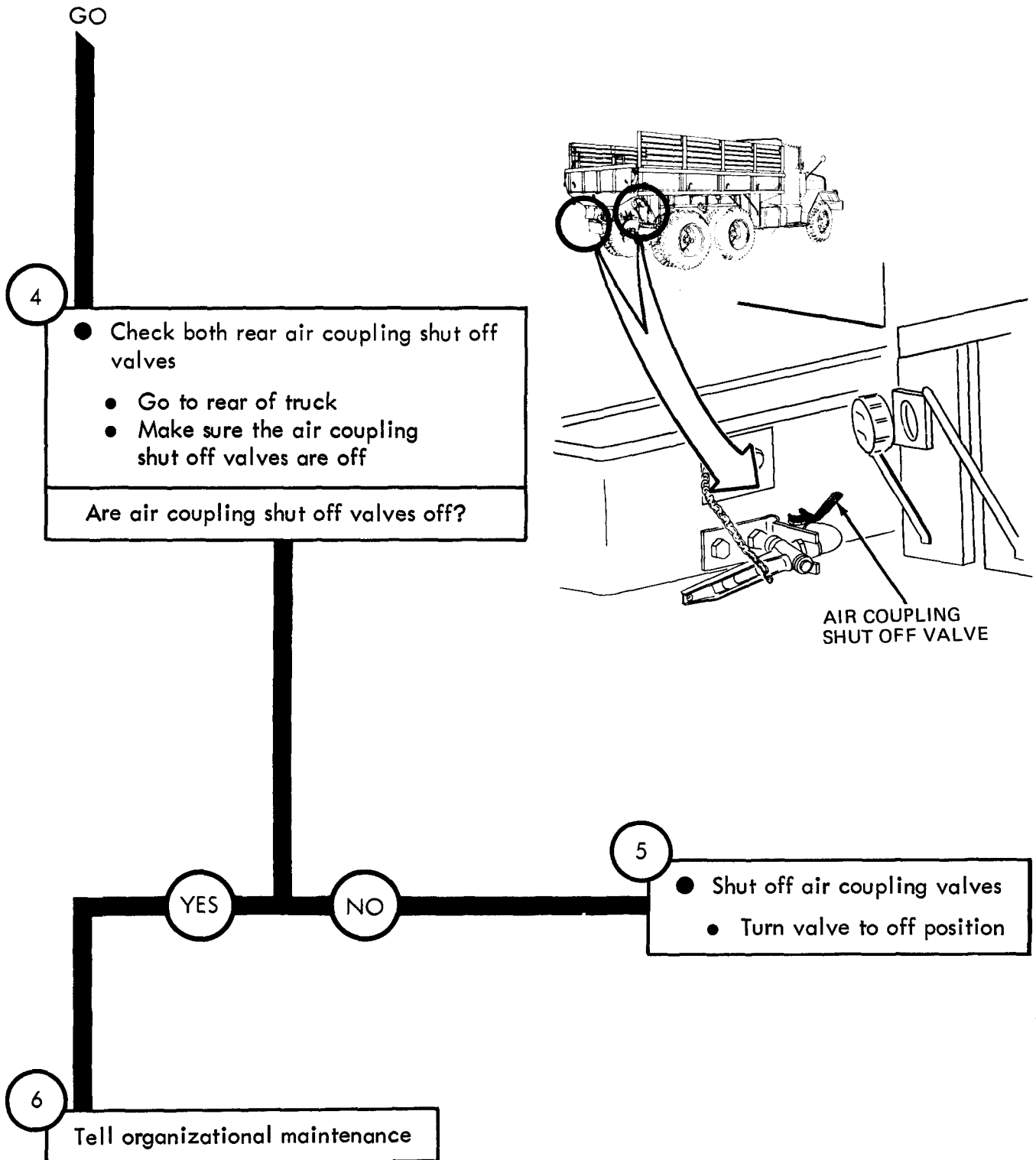
YES

NO

3

- Tighten air reservoir drain valve
 - Using pliers, tighten drain valve

GO



Symptom

4 BUZZER DOES NOT SHUT OFF AND AIR PRESSURE GAGE READS BELOW 60 PSI ON TRUCKS M275A1 AND M275A2

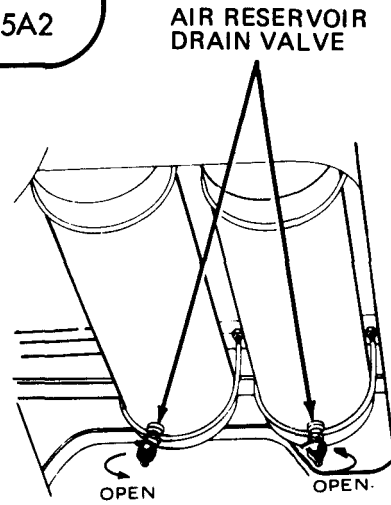
1

- Turn engine off
- Refer to Vol 1, chapter 4, para 4-6e

2

- Check air reservoir drain valve under left side running board
- Feel if drain valves are loose

Is air reservoir drain valve tight?



3

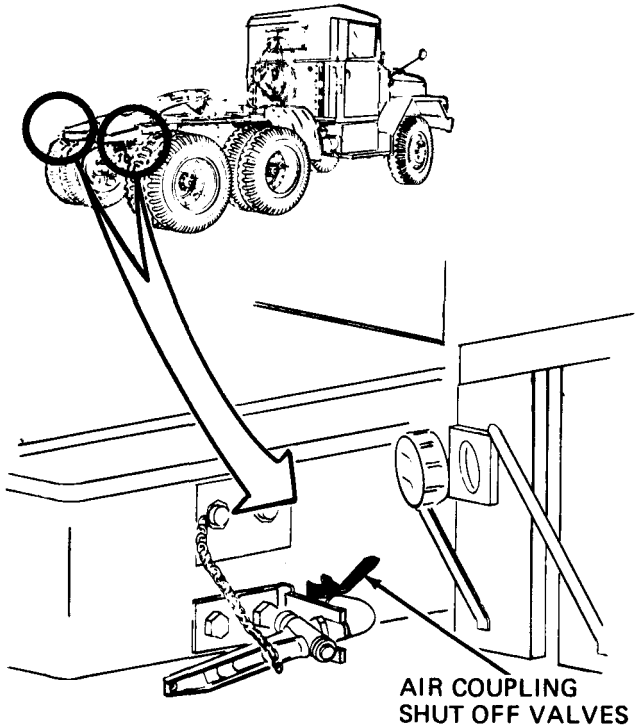
YES NO

- Tighten air reservoir drain valve
- Using pliers, tighten drain valve

4

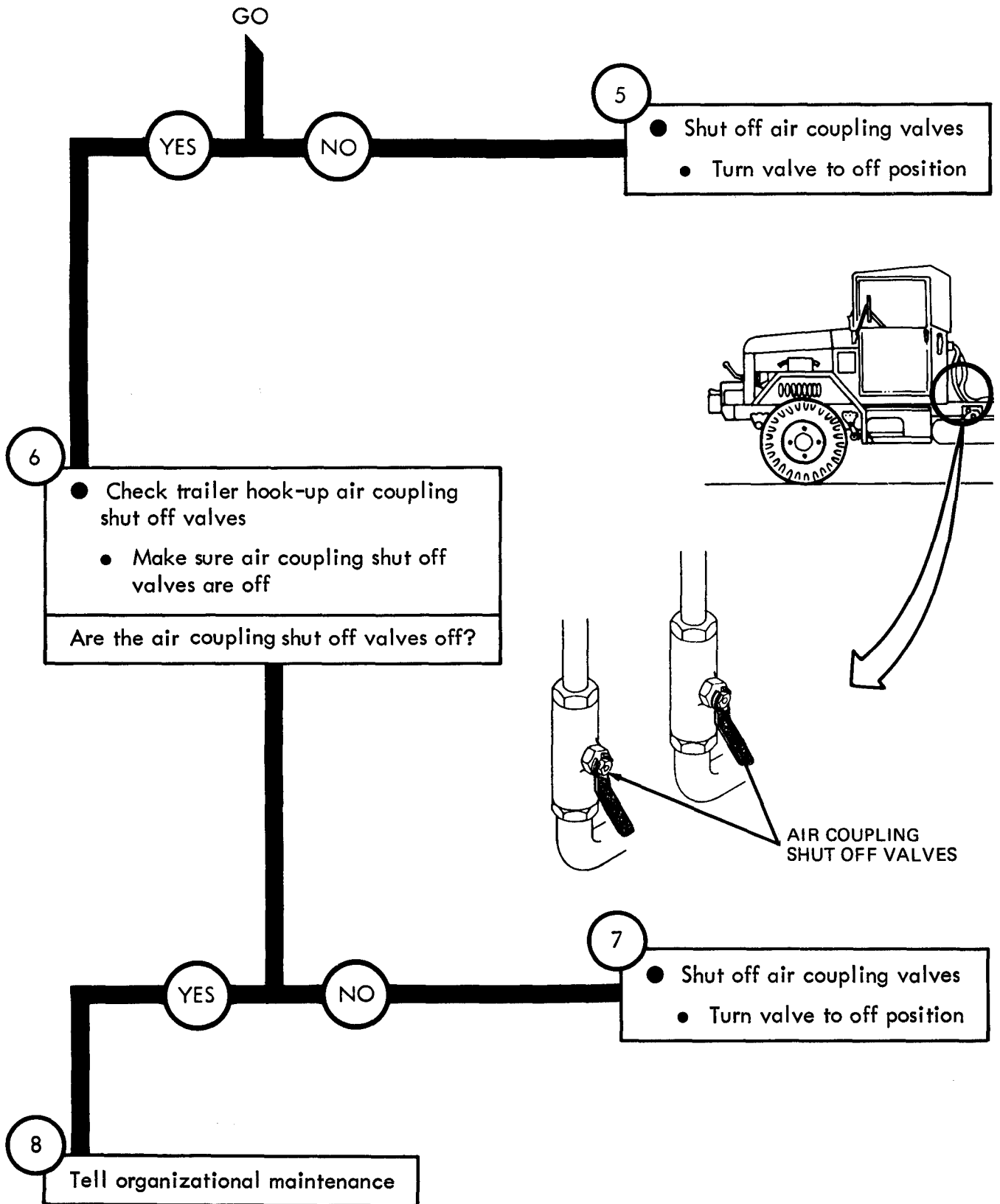
- Check both rear air coupling shut-off valves
- Go to rear of truck
- Make sure the air coupling shut off valves are off

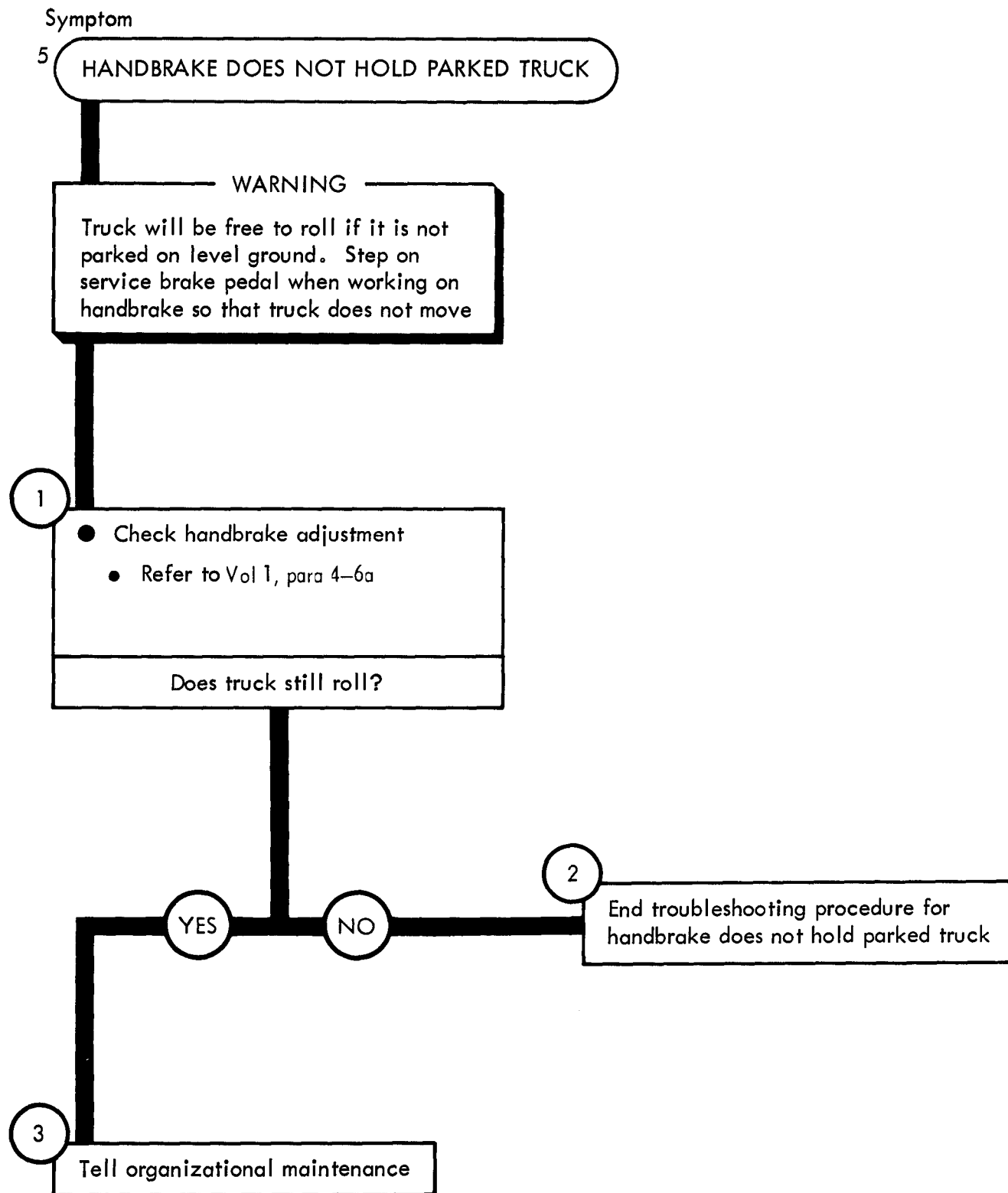
Are air coupling shutoff valves off?



GO

TA 113555





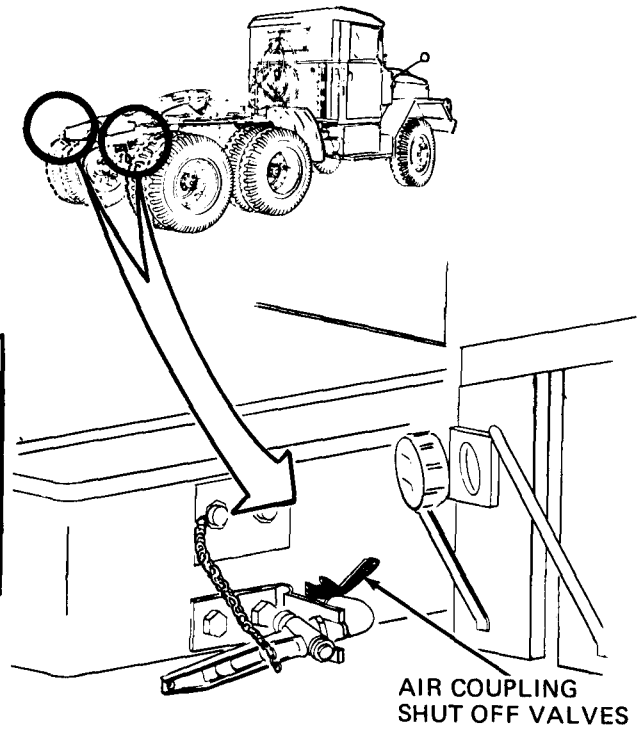
TA 113557

Symptom

6 TRAILER BRAKES DO NOT WORK WHEN PEDAL IS PRESSED OR HAND CONTROL LEVER IS USED

1

- Park truck
- Refer to Vol 1, chapter 4, para 4-6e



2

- Check rear air coupling shut off valves
- Make sure shut off valves are in on position

Are the air coupling shut off valves on?

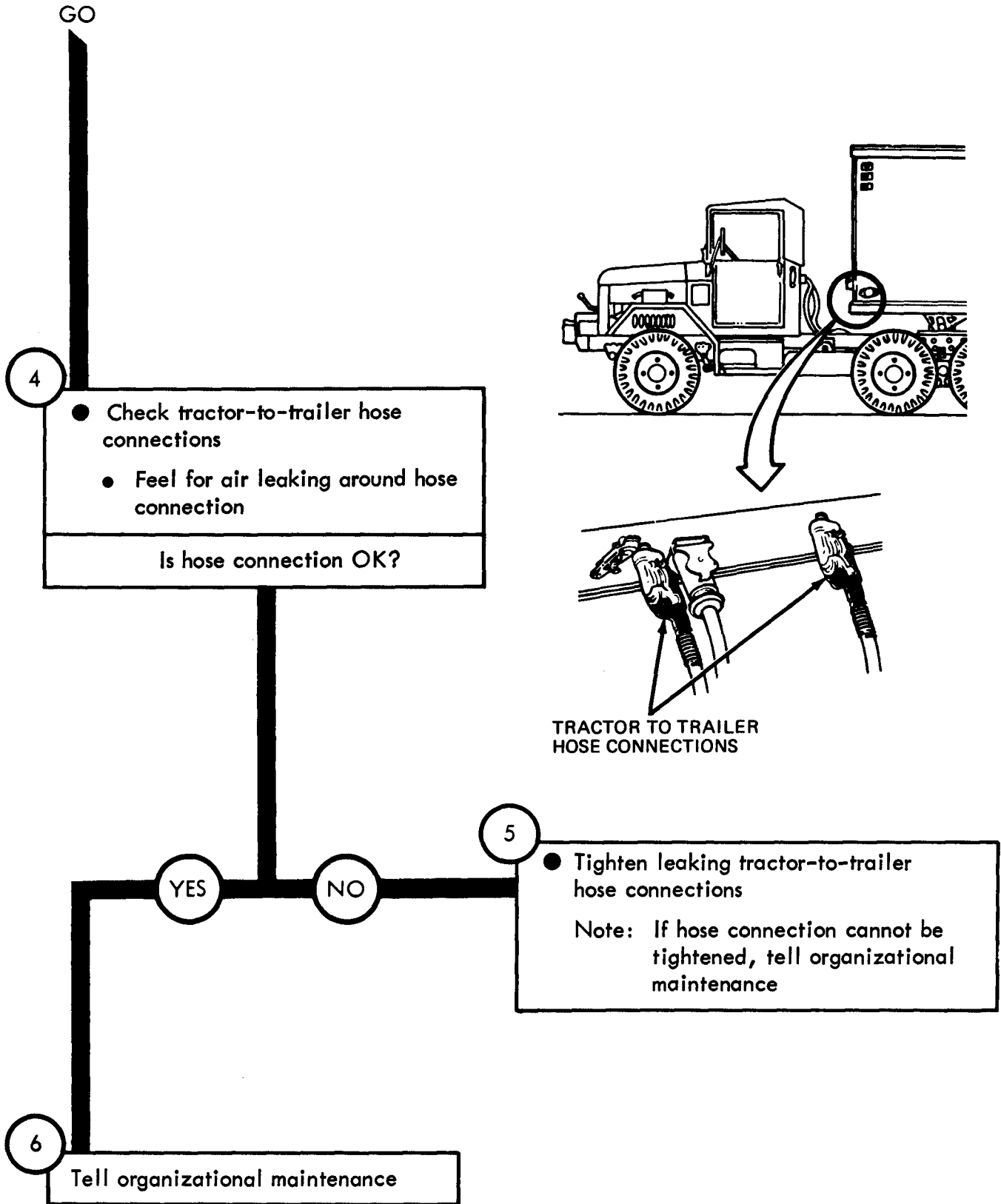
YES NO

3

- Turn air coupling shut off valves on

GO

Figure 14-6 (Sheet 1 of 2)



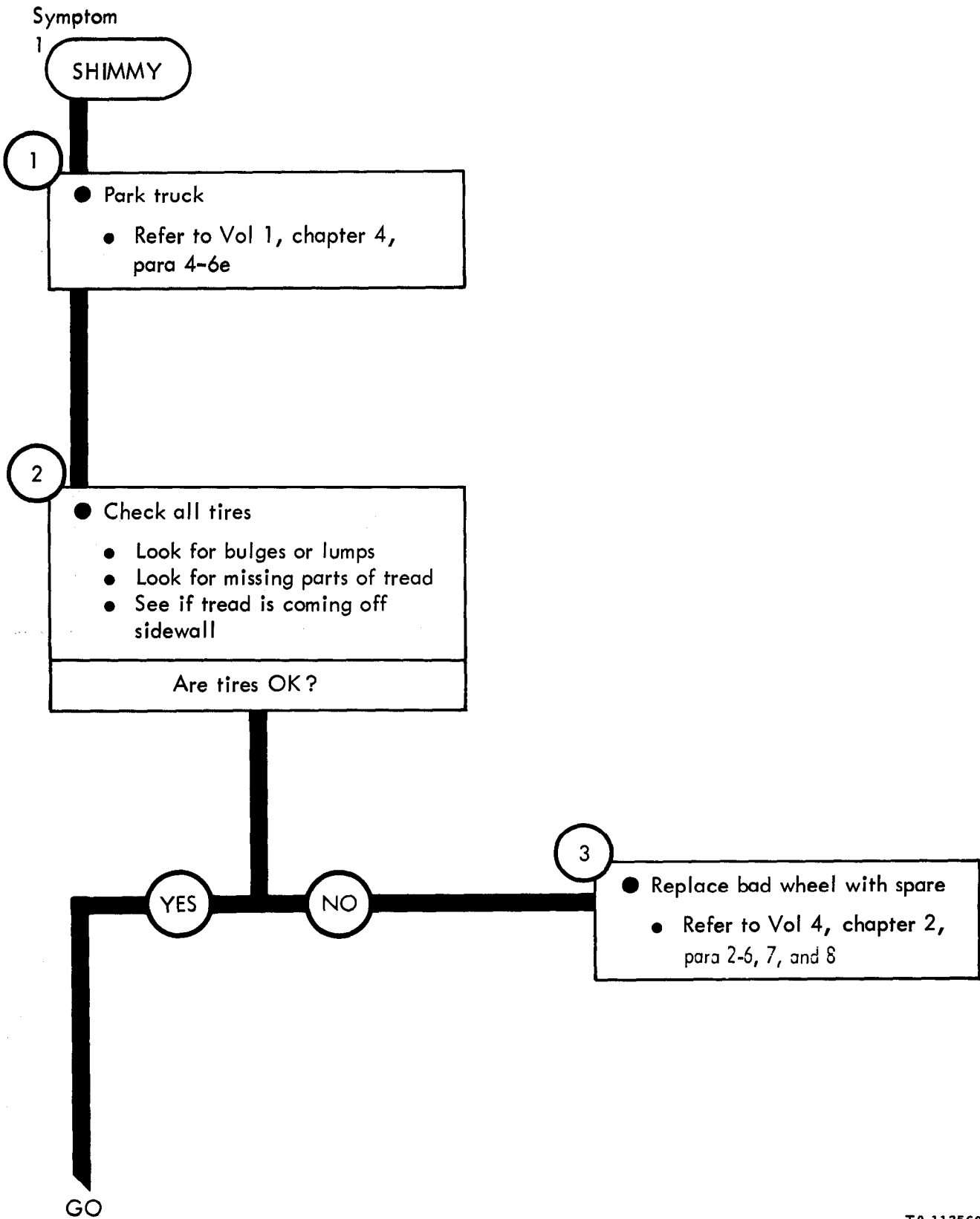
CHAPTER 15

WHEEL SYSTEM TROUBLESHOOTING PROCEDURES

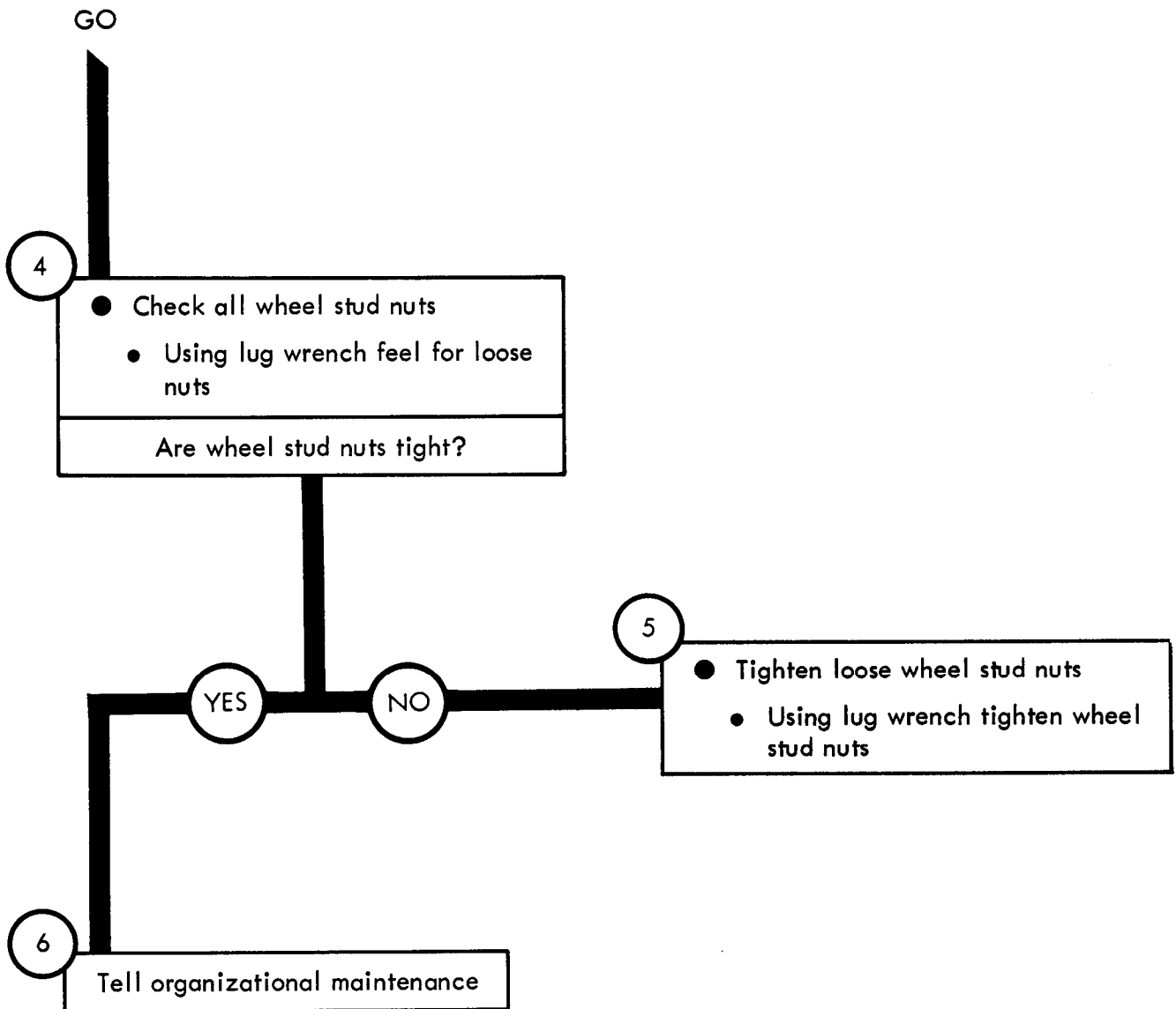
15-1. GENERAL. Detailed troubleshooting procedures for the wheel system are given in this chapter.

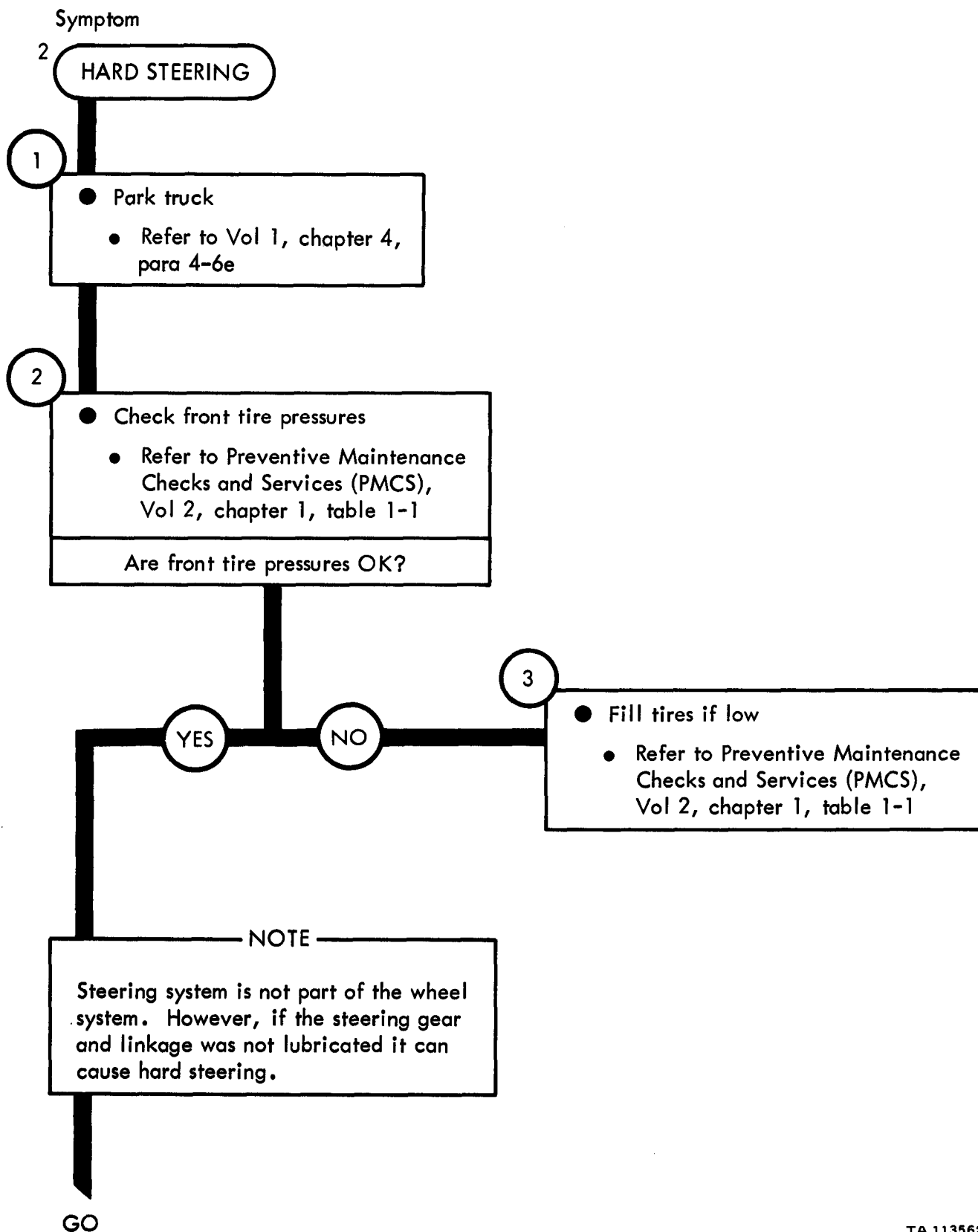
15-2. PROCEDURES. These troubleshooting procedures are used the same way as the sample troubleshooting procedure given in chapter 7.

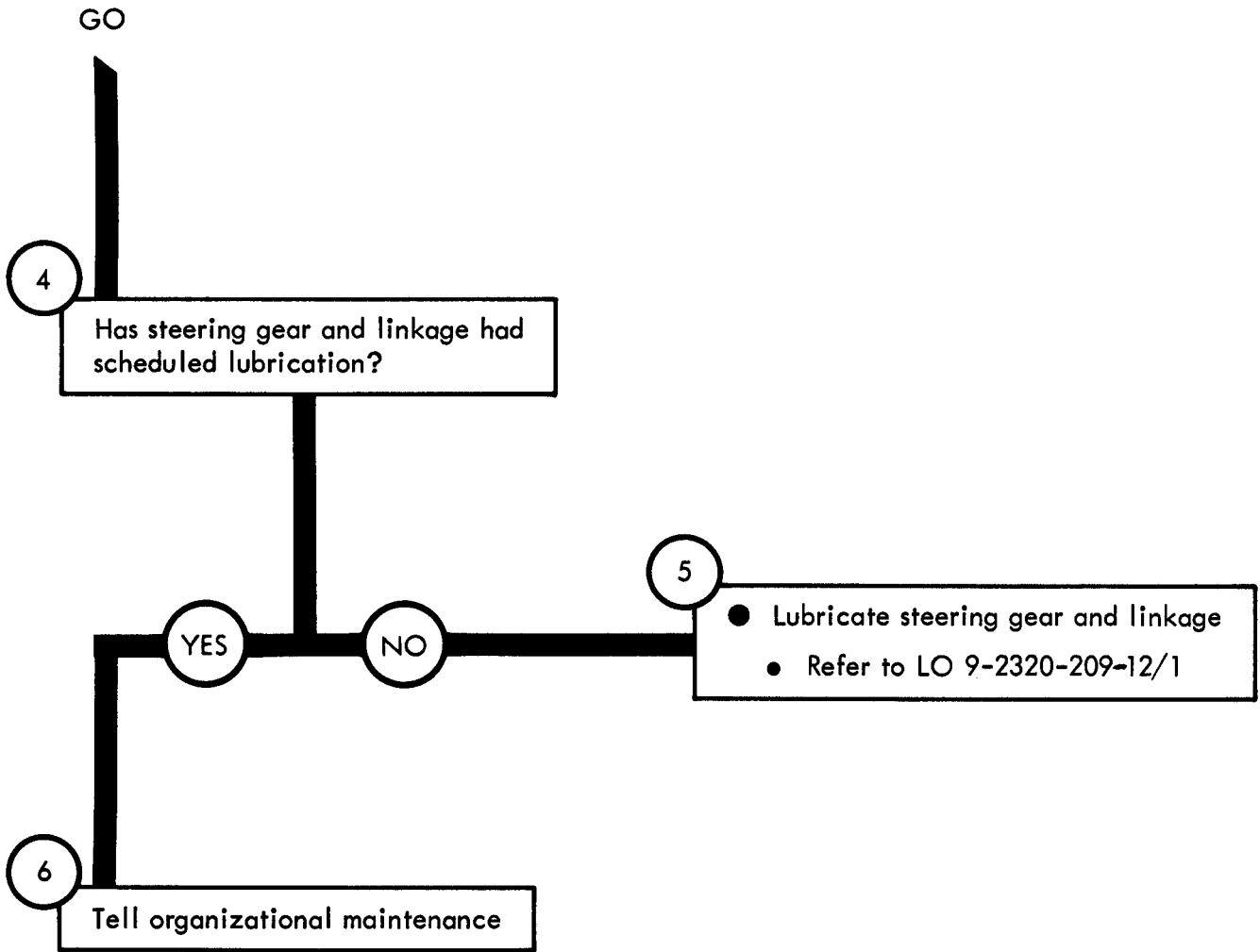
WHEEL SYSTEM TROUBLESHOOTING



TA 113560







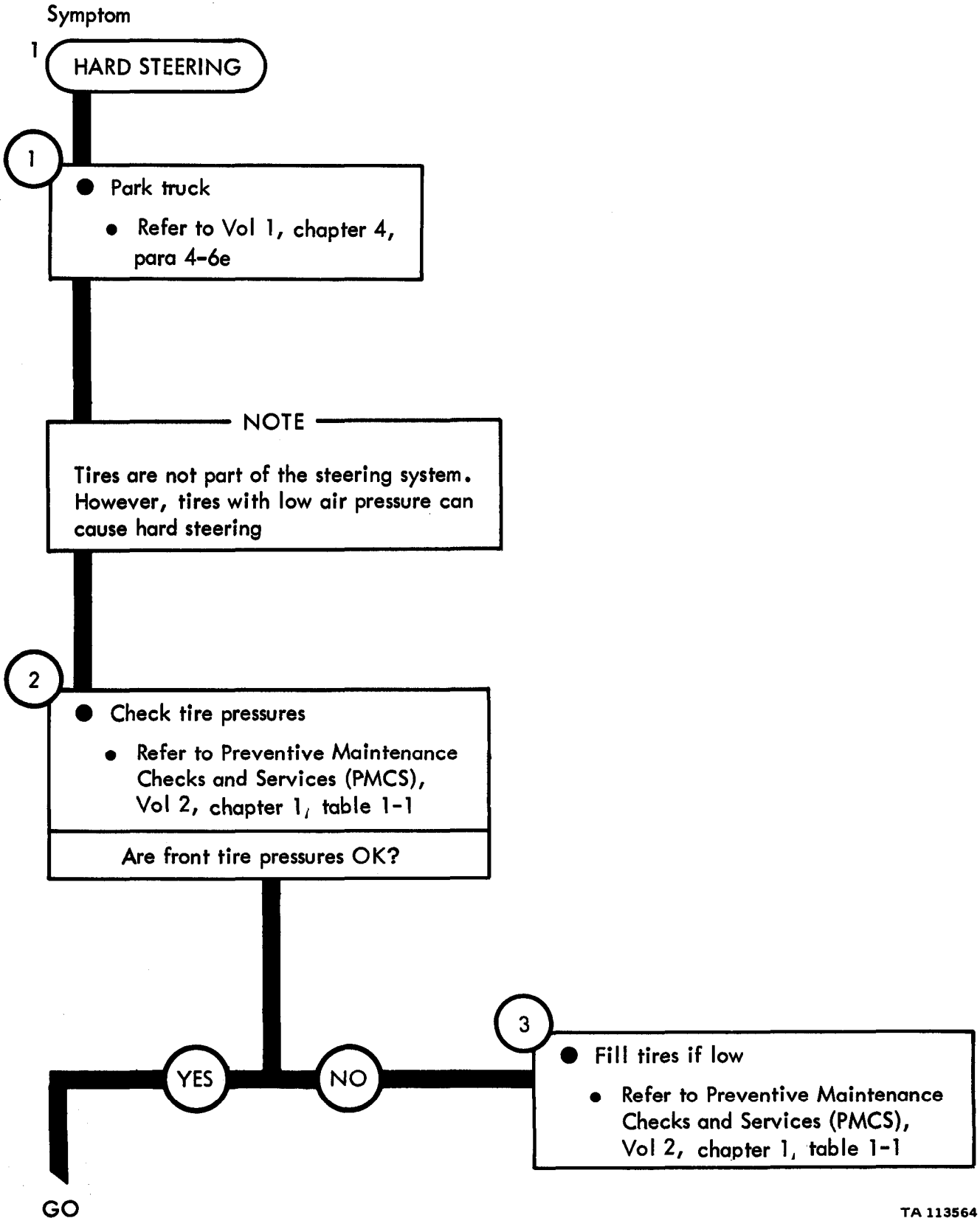
CHAPTER 16

STEERING SYSTEM TROUBLESHOOTING PROCEDURES

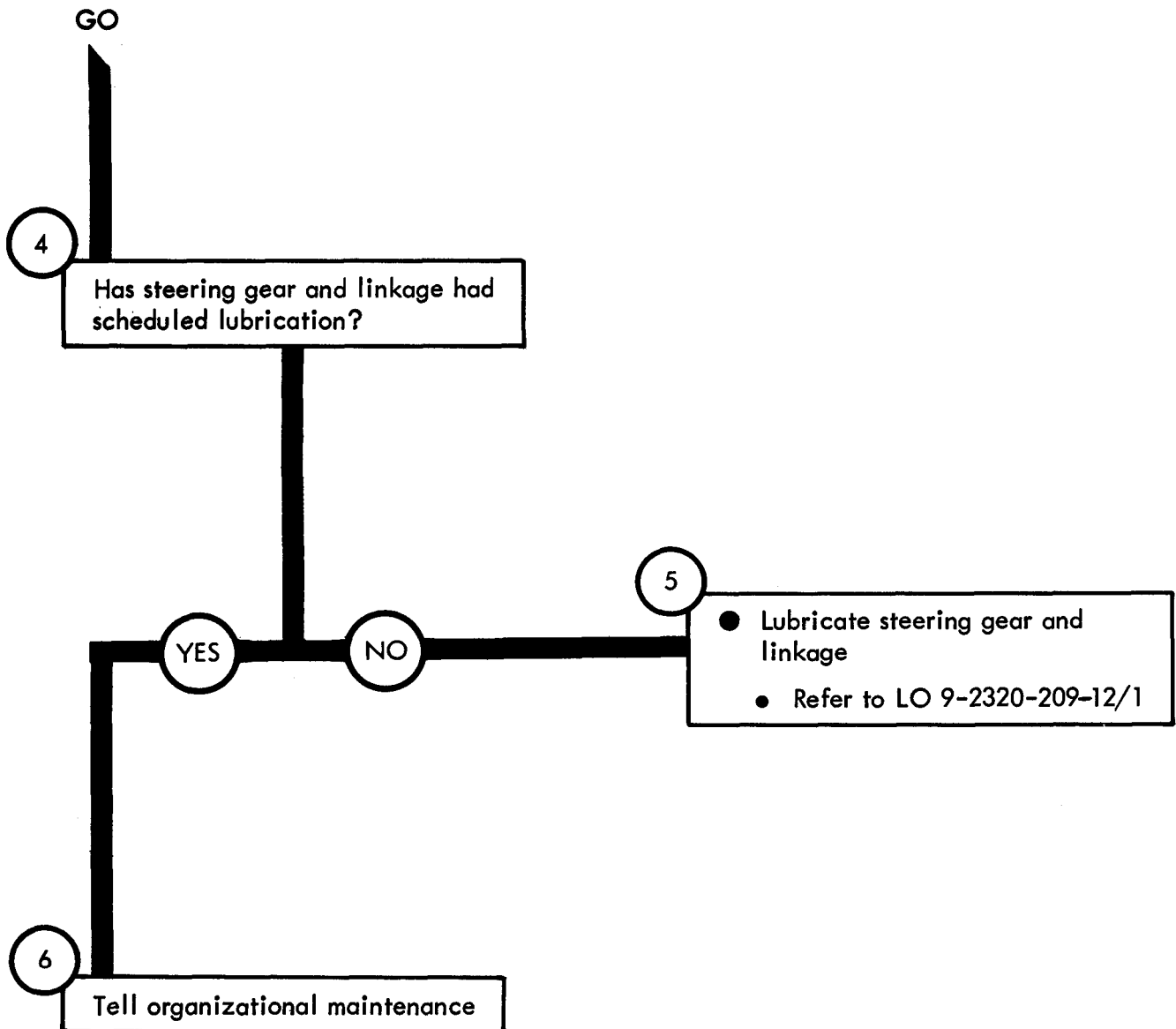
16-1. GENERAL. Detailed troubleshooting procedures for the steering system are given in this chapter.

16-2. PROCEDURES . These troubleshooting procedures are used the same way as the sample troubleshooting procedure given in chapter 7.

STEERING SYSTEM TROUBLESHOOTING



TA 113564



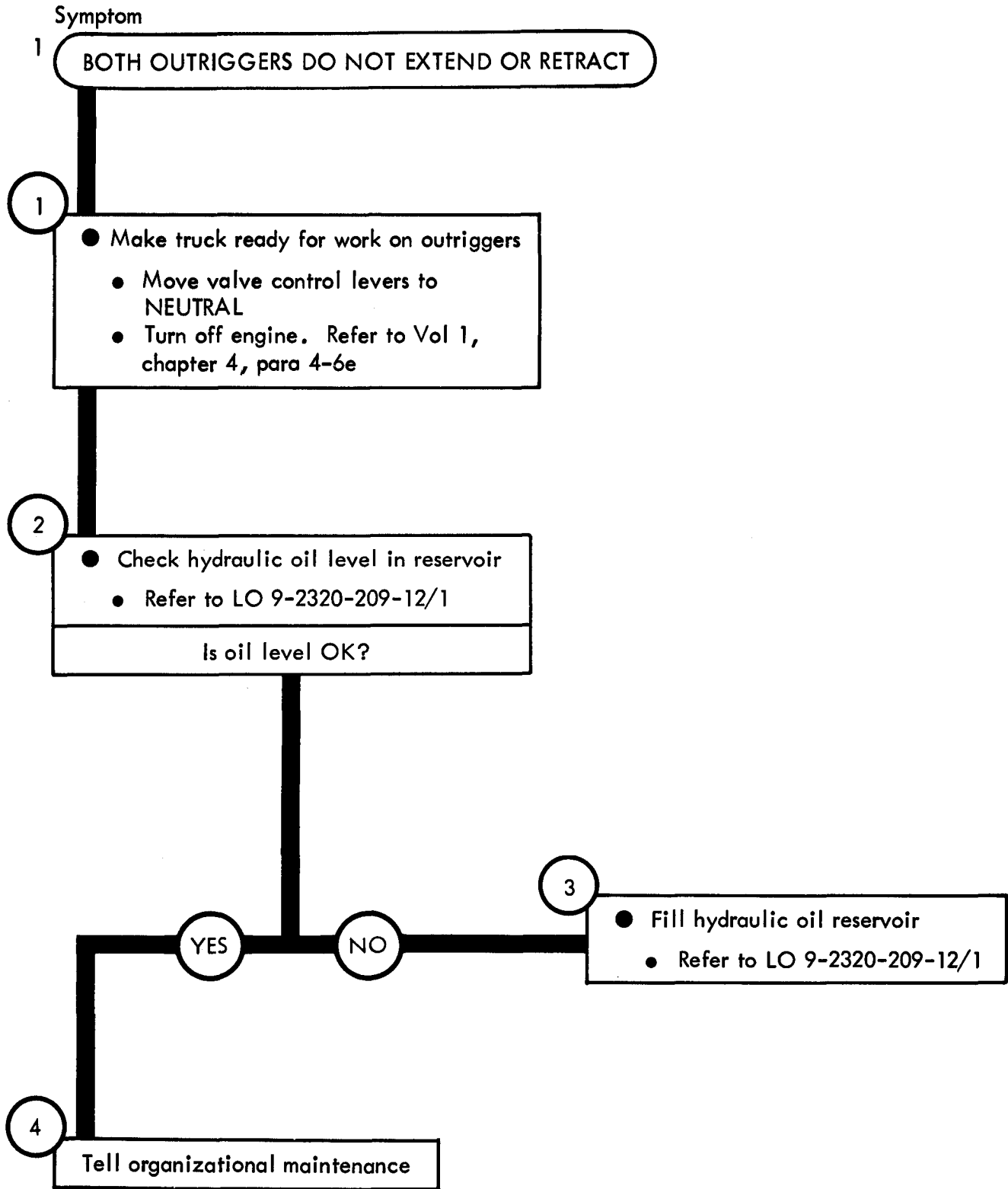
CHAPTER 17

OUTRIGGER TROUBLESHOOTING PROCEDURES, TRUCK M764

17-1. GENERAL. Detailed troubleshooting procedures for the outrigger, truck M764 are given in this chapter.

17-2. PROCEDURES . These troubleshooting procedures are used the same way as the sample troubleshooting procedure given in chapter 7.

OUTRIGGER TROUBLESHOOTING, TRUCK M764



CHAPTER 18

FRONT WINCH TROUBLESHOOTING PROCEDURES

18-1. GENERAL. Detailed troubleshooting procedures for the front winch are given in this chapter.

18-2. PROCEDURES. These troubleshooting procedures are used the same way as the sample troubleshooting procedure given in chapter 7.

FRONT WINCH TROUBLESHOOTING

Symptom

1 WINCH DOES NOT PULL LOAD

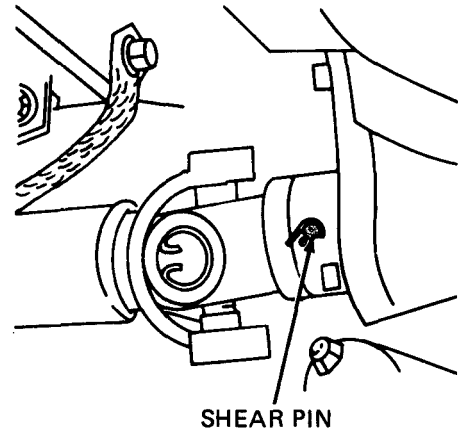
- 1
- Make truck ready for work on winch
 - Turn off winch. Refer to Vol 1, chapter 4, para 4-7e
 - Chock wheels

- 2
- Check shear pin
 - Look for a broken shear pin
- Is shear pin OK?

YES NO

- 3
- Replace broken shear pin
 - Refer to Vol 4, chapter 2, para 2-10

4 Tell organizational maintenance



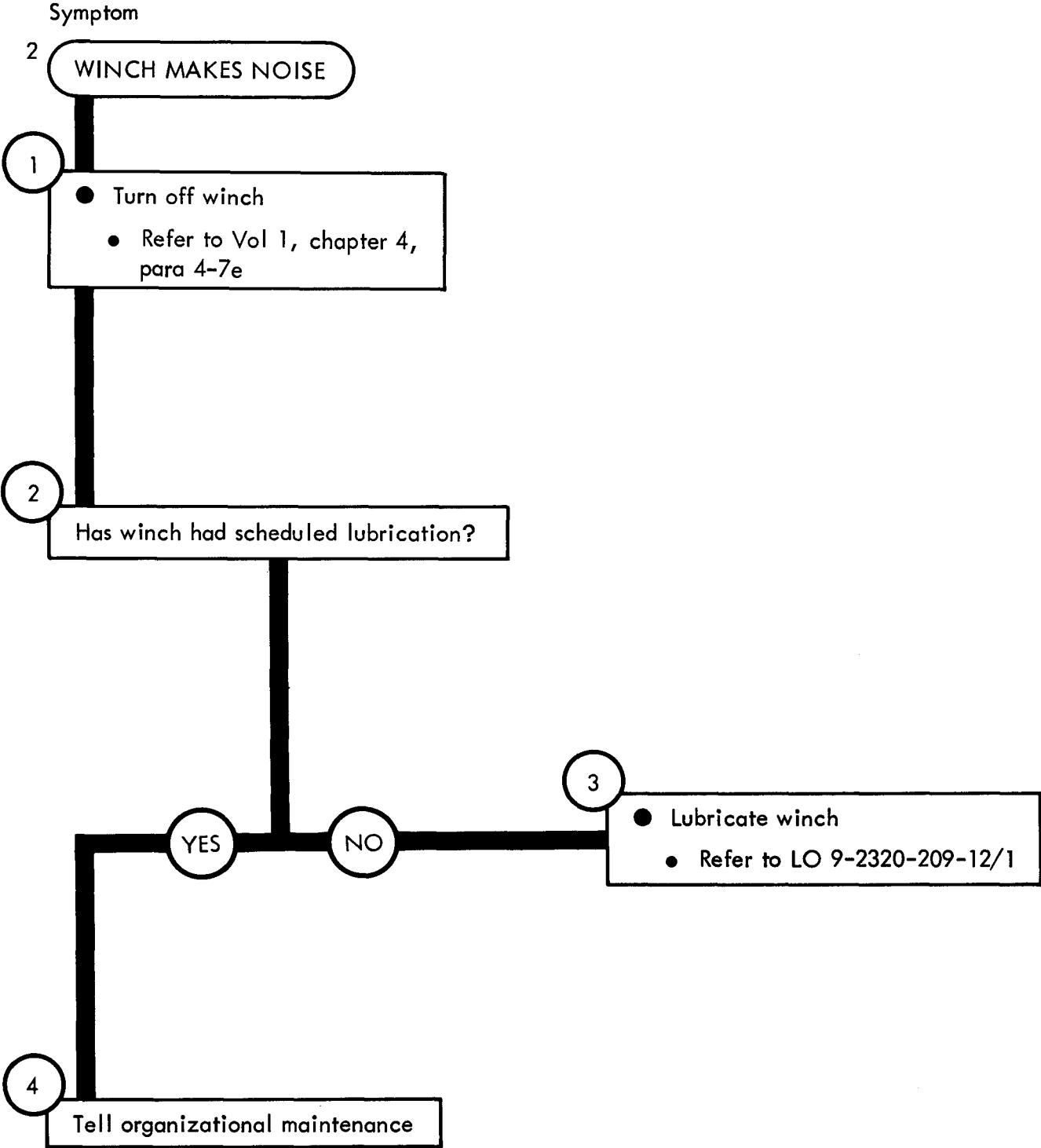


Figure 18-2

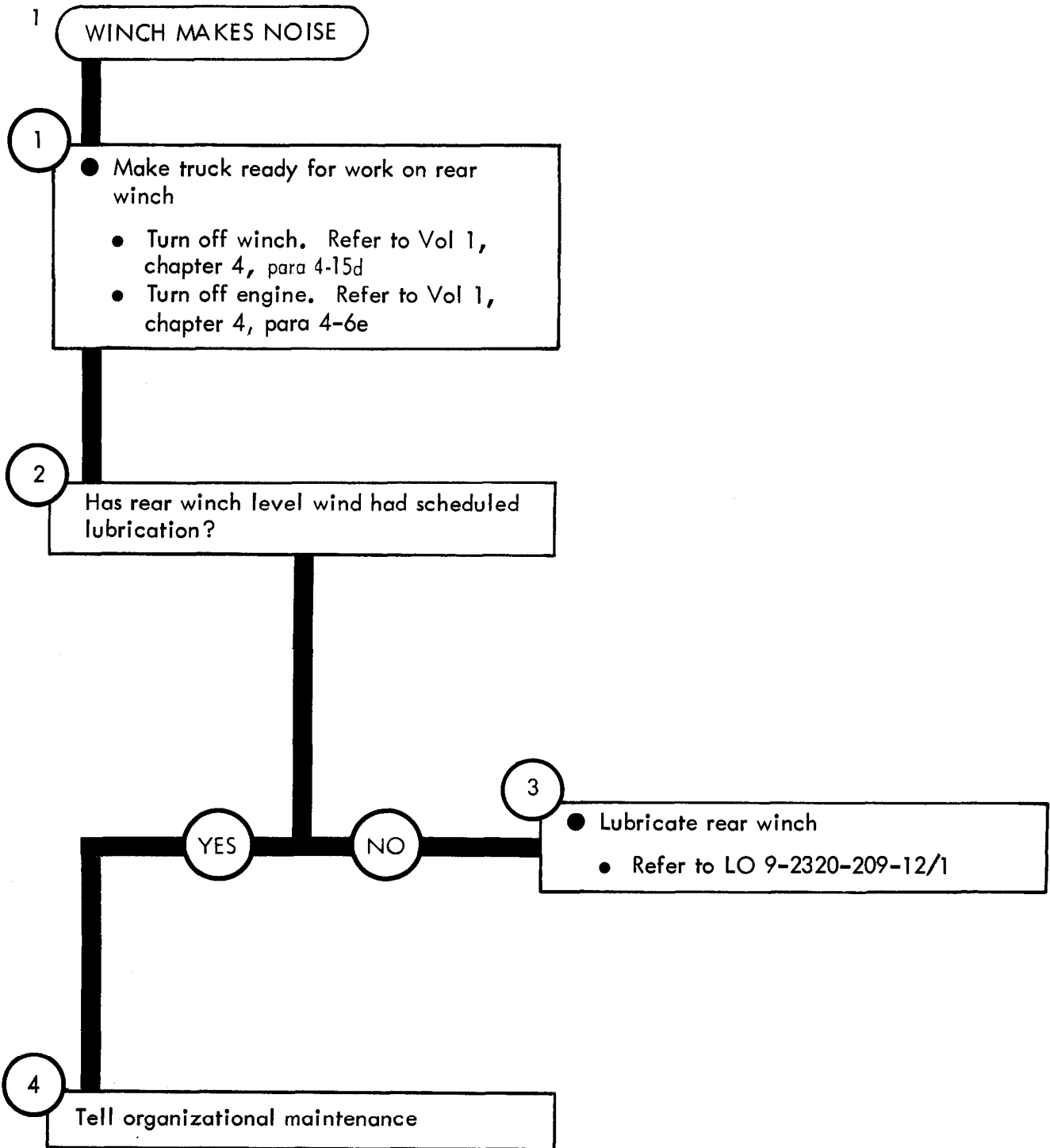
CHAPTER 19

REAR WINCH TROUBLESHOOTING PROCEDURES, TRUCK M764

19-1. GENERAL. Detailed troubleshooting procedures for the rear winch, truck M764 are given in this chapter.

19-2. PROCEDURES . These troubleshooting procedures are used the same way as the sample troubleshooting procedure given in chapter 7.

Symptom

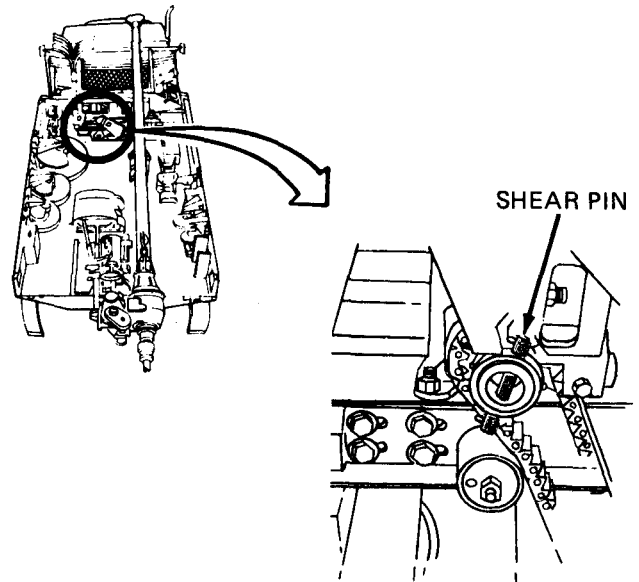


Symptom

2 WINCH DOES NOT PULL LOAD

- 1
- Make truck ready for work on rear winch
 - Turn off winch. Refer to Vol 1, chapter 4, para 4-15d
 - Turn off engine. Refer to Vol 1, chapter 4, para 4-6e
 - Chock wheels

- 2
- Check shear pin
 - Look for a broken shear pin
- Is shear pin OK?



- YES
- NO
- 3
- Replace broken shear pin
 - Refer to Vol 4, chapter 2, para 2-12

4

Tell organizational maintenance

Figure 19-2

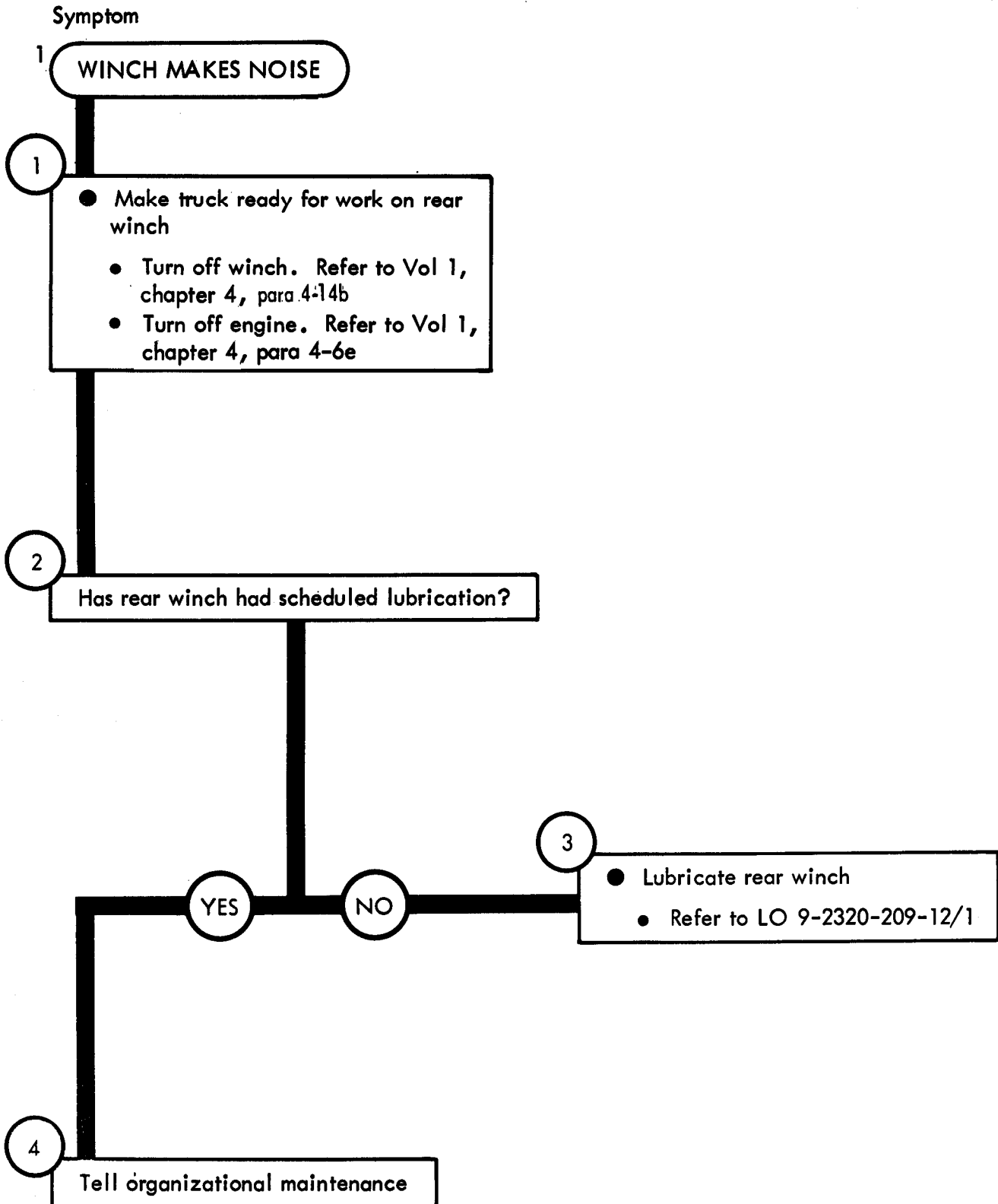
CHAPTER 20

REAR WINCH TROUBLESHOOTING PROCEDURES, TRUCK M756A2

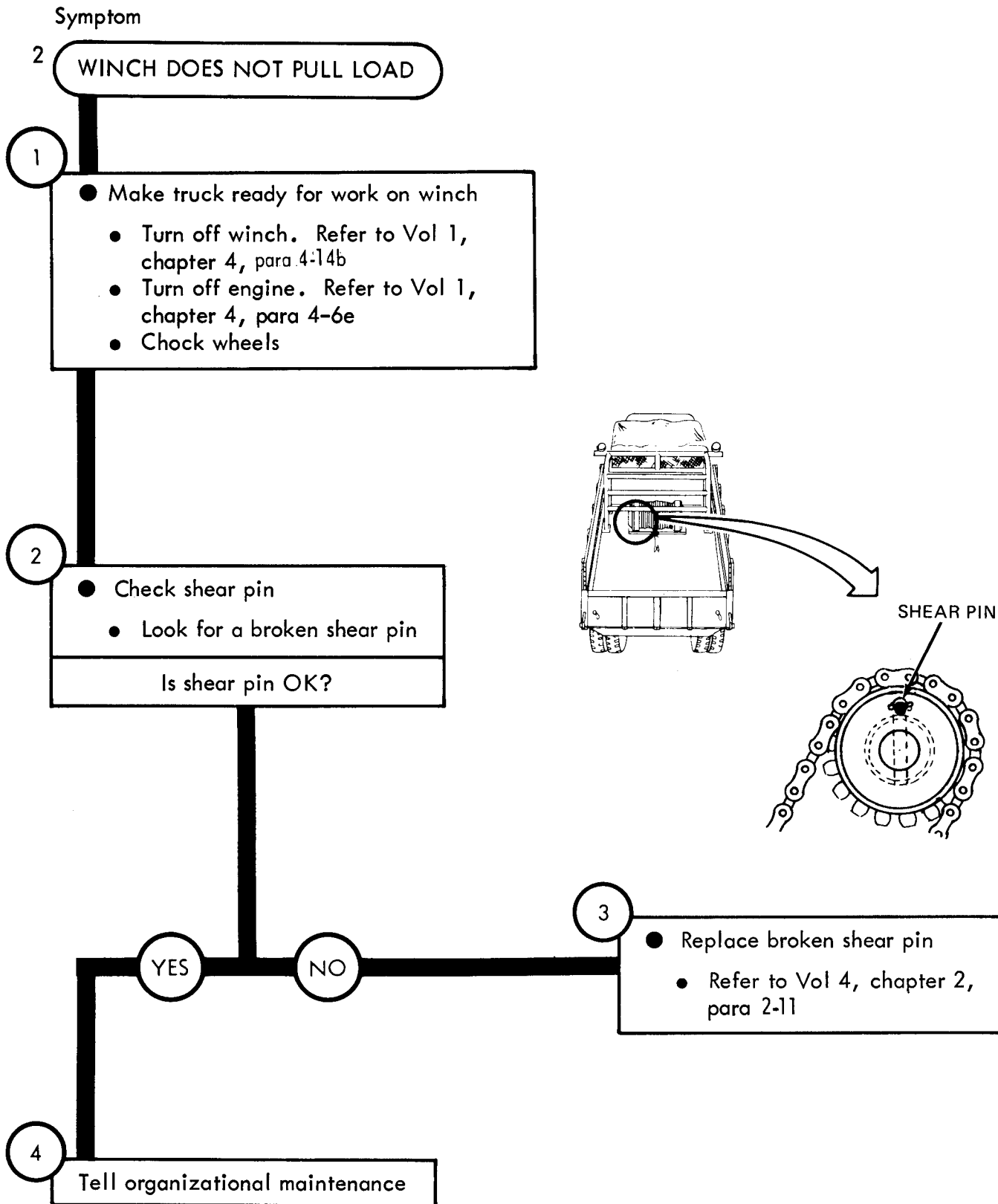
20-1. GENERAL. Detailed troubleshooting procedures for the rear winch, truck M756A2 are given in this chapter.

20-2. PROCEDURES. These troubleshooting procedures are used the same way as the sample troubleshooting procedure given in chapter 7.

REAR WINCH TROUBLESHOOTING, TRUCK M756A2



TA 113571



Symptom

3 TAILBOARD ROLLER BINDS, OR DOES NOT TURN

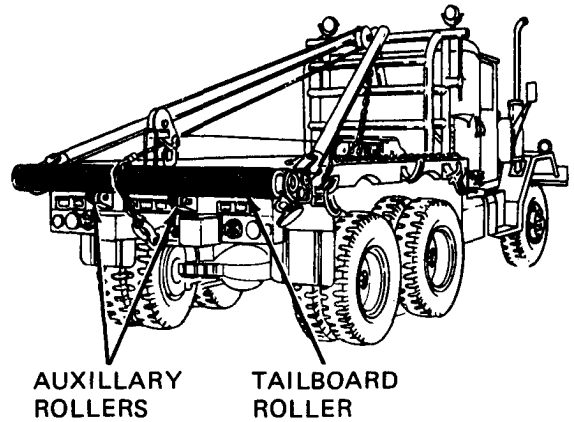
1

- Turn off winch
 - Refer to Vol 1, chapter 4, para 4-14b

2

- Check auxillary rollers
 - Look for anything stuck in rollers that can cause binding

Are auxillary rollers clear?



YES NO 3 Clear blockage away from rollers

4 Have auxillary rollers had scheduled lubrication?

YES NO 5 Lubricate auxillary rollers

- Refer to LO 9-2320-209-12/1

6 Tell organizational maintenance

Figure 20-3

CHAPTER 21

DUMP TRUCK TROUBLESHOOTING PROCEDURES

21-1. GENERAL. Detailed troubleshooting procedures for the dump truck are given in this chapter.

21-2. PROCEDURES. These troubleshooting procedures are used the same way as the sample troubleshooting procedure given in chapter 7.

DUMP TRUCK TROUBLESHOOTING

Symptom

DUMP BODY DOES NOT RISE

1

- Make truck ready for work on dump body
 - Turn off dump control. Refer to Vol 1, chapter 4, para 4-13f
 - Turn off engine. Refer to Vol 1, chapter 4, para 4-6e

2

- Check hydraulic oil level in reservoir
 - Refer to LO 9-2320-209-12/1

Is oil level OK?

YES

NO

3

- Fill reservoir
 - Refer to LO 9-2320-209-12/1

4

Tell organizational maintenance

Figure 21-1

CHAPTER 22

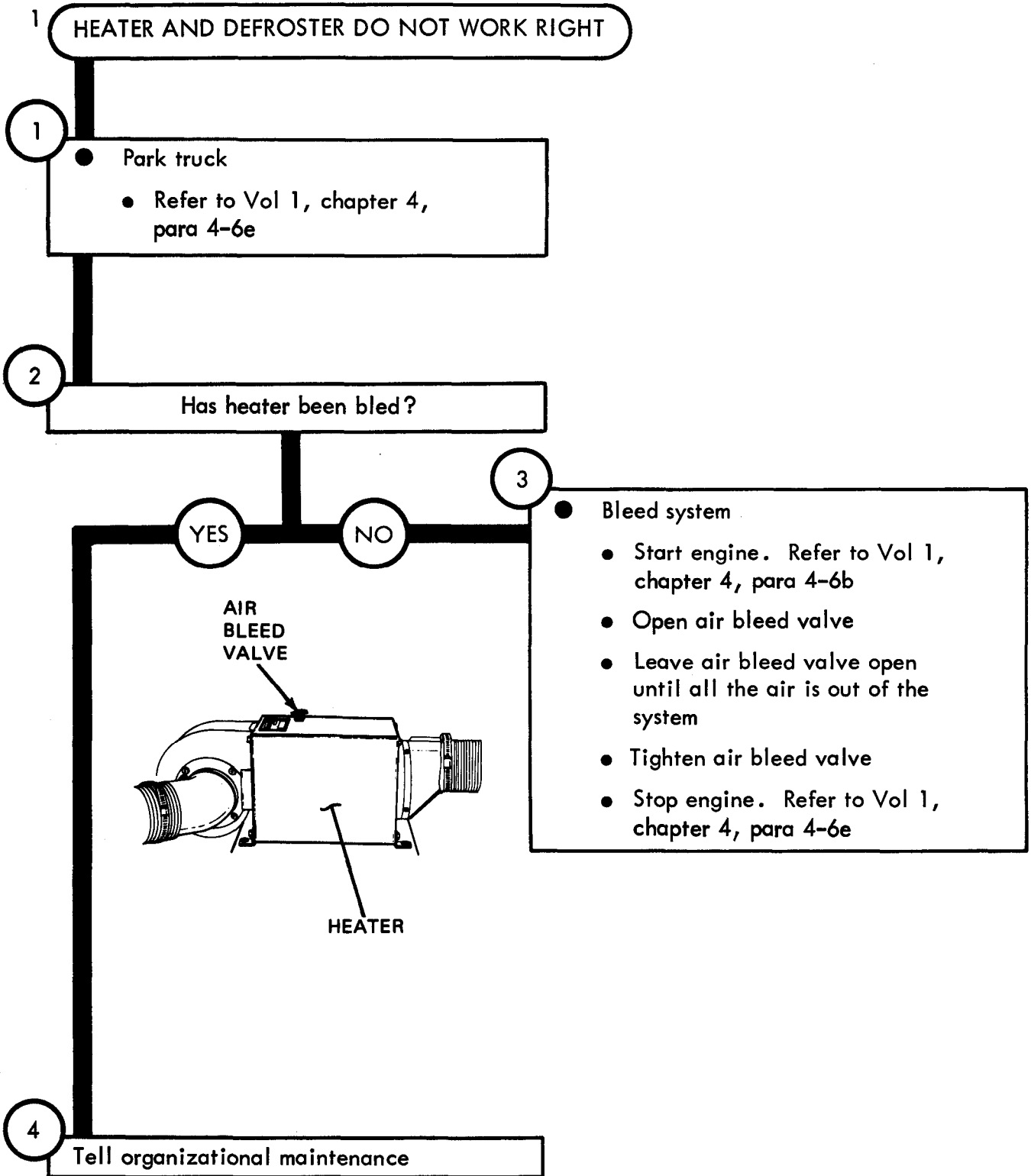
HOT WATER HEATER TROUBLESHOOTING PROCEDURES

22-1. GENERAL. Detailed troubleshooting procedures for the hot water heater are given in this chapter.

22-2. PROCEDURES . These troubleshooting procedures are used the same way as the sample troubleshooting procedure given in chapter 7.

HOT WATER HEATER TROUBLESHOOTING

Symptom



By Order of the Secretaries of the Army and the Air Force:

E. C. MEYER
General, United States Army
Chief of Staff

Official:

J.C. PENNINGTON
Major General, United States Army
The Adjutant General

LEW ALLEN, JR., General, USAF
Chief of Staff

Official:

VAN L. CRAWFORD, JR., Colonel, USAF
Director of Administration

Distribution:

To be distributed in accordance with DA Form 12-38,
Operator Maintenance requirements for 2-1/2 Ton Truck
Cargo, and 2-1/2 Ton Truck Van.

RECOMMENDED CHANGES TO EQUIPMENT TECHNICAL PUBLICATIONS



THEN... JOT DOWN THE DOPE ABOUT IT ON THIS FORM, CAREFULLY TEAR IT OUT, FOLD IT AND DROP IT IN THE MAIL!

SOMETHING WRONG WITH THIS PUBLICATION?

FROM (PRINT YOUR UNIT'S COMPLETE ADDRESS)

CDR, 1st Bn, 65th ADA
Attn: SP4 Jane Idone
Key West, FL 33040

DATE SENT
Date sent in

PUBLICATION NUMBER

TM 9-2320-209-10-3

PUBLICATION DATE

26 Sep 80

PUBLICATION TITLE

OPERATOR
TROUBLESHOOTING MANUAL

BE EXACT. PIN-POINT WHERE IT IS

PAGE NO	PARA-GRAPH	FIGURE NO	TABLE NO
6-4			6-6
9-3		9-1 (Sheet 2 of 3)	
8-6		8-2 (Sheet 2 of 2)	

IN THIS SPACE TELL WHAT IS WRONG AND WHAT SHOULD BE DONE ABOUT IT:

TS PROCEDURE DETAILED Figure 15-1 should be Figure 13-1.

Box ④, fourth step reads "... and see if coolant level is up to the top." Should be changed to read "... and see if coolant level is within two inches of top."

Box ⑤, "Tighten drain cocks until leak stops" should be changed to read "Hand tighten drain cocks until leak stops."

SAMPLE

PRINTED NAME GRADE OR TITLE AND TELEPHONE NUMBER

SP4 Jane Idone Autobvon 222-2224

SIGN HERE

Jane Idone

RECOMMENDED CHANGES TO EQUIPMENT TECHNICAL PUBLICATIONS



THEN... JOT DOWN THE DOPE ABOUT IT ON THIS FORM, CAREFULLY TEAR IT OUT, FOLD IT AND DROP IT IN THE MAIL!

SOMETHING WRONG WITH THIS PUBLICATION?

FROM: (PRINT YOUR UNIT'S COMPLETE ADDRESS)

DATE SENT

PUBLICATION NUMBER TM 9-2320-209-10-3	PUBLICATION DATE 26 Sep 80	PUBLICATION TITLE OPERATOR TROUBLESHOOTING MANUAL
--	-------------------------------	--

BE EXACT... PIN-POINT WHERE IT IS				IN THIS SPACE TELL WHAT IS WRONG AND WHAT SHOULD BE DONE ABOUT IT:
PAGE NO.	PARA-GRAPH	FIGURE NO.	TABLE NO.	

PRINTED NAME, GRADE OR TITLE, AND TELEPHONE NUMBER	SIGN HERE:
--	------------

TEAR ALONG PERFORATED LINE

FILL IN YOUR
UNIT'S ADDRESS

FOLD BACK

DEPARTMENT OF THE ARMY

OFFICIAL BUSINESS
PENALTY FOR PRIVATE USE \$300

POSTAGE AND FEES PAID
DEPARTMENT OF THE ARMY
DOD 314



TEAR ALONG PERFORATED LINE

Commander
US Army Tank-Automotive Materiel Readiness Command
ATTN: DRSTA-MB
Warren, MI 48090

RECOMMENDED CHANGES TO EQUIPMENT TECHNICAL PUBLICATIONS



THEN... JOT DOWN THE DOPE ABOUT IT ON THIS FORM, CAREFULLY TEAR IT OUT, FOLD IT AND DROP IT IN THE MAIL!

SOMETHING WRONG WITH THIS PUBLICATION?

FROM: (PRINT YOUR UNIT'S COMPLETE ADDRESS)

DATE SENT

PUBLICATION NUMBER

TM 9-2320-209-10-3

PUBLICATION DATE

26 Sep 80

PUBLICATION TITLE

OPERATOR
TROUBLESHOOTING MANUAL

BE EXACT... PIN-POINT WHERE IT IS

PAGE NO	PARA-GRAPH	FIGURE NO	TABLE NO

IN THIS SPACE TELL WHAT IS WRONG AND WHAT SHOULD BE DONE ABOUT IT:

PRINTED NAME, GRADE OR TITLE, AND TELEPHONE NUMBER

SIGN HERE:

TEAR ALONG PERFORATED LINE

FILL IN YOUR
UNIT'S ADDRESS

FOLD BACK

DEPARTMENT OF THE ARMY

POSTAGE AND FEES PAID
DEPARTMENT OF THE ARMY
DOD 314



OFFICIAL BUSINESS
PENALTY FOR PRIVATE USE \$300

Commander
US Army Tank-Automotive Material Readiness Command
ATTN: DRSTA-MB
Warren, MI 48090

TEAR ALONG PERFORATED LINE

RECOMMENDED CHANGES TO EQUIPMENT TECHNICAL PUBLICATIONS

SOMETHING WRONG WITH THIS PUBLICATION?



THEN... JOT DOWN THE DOPE ABOUT IT ON THIS FORM, CAREFULLY TEAR IT OUT, FOLD IT AND DROP IT IN THE MAIL!

FROM: (PRINT YOUR UNIT'S COMPLETE ADDRESS)

DATE SENT

PUBLICATION NUMBER

TM 9-2320-209-10-3

PUBLICATION DATE

26 Sep 80

PUBLICATION TITLE

OPERATOR
TROUBLESHOOTING MANUAL

BE EXACT... PIN-POINT WHERE IT IS

PAGE
NO

PARA-
GRAPH

FIGURE
NO

TABLE
NO

IN THIS SPACE TELL WHAT IS WRONG
AND WHAT SHOULD BE DONE ABOUT IT:

TEAR ALONG PERFORATED LINE

PRINTED NAME, GRADE OR TITLE, AND TELEPHONE NUMBER

SIGN HERE:

FILL IN YOUR
UNIT'S ADDRESS

FOLD BACK

DEPARTMENT OF THE ARMY

OFFICIAL BUSINESS
PENALTY FOR PRIVATE USE \$300

POSTAGE AND FEES PAID
DEPARTMENT OF THE ARMY
DOD 314



TEAR ALONG PERFORATED LINE

Commander
US Army Tank-Automotive Material Readiness Command
ATTN: DRSTA-MB
Warren, MI 48090

THE METRIC SYSTEM AND EQUIVALENTS

LINEAR MEASURE

1 Centimeter = 10 Millimeters = 0.01 Meters = 0.3937 Inches
 1 Meter = 100 Centimeters = 1,000 Millimeters = 39.37 Inches
 1 Kilo Meter = 1,000 Meters = 0.621 Miles

WEIGHTS

1 Gram = 0.001 Kilograms = 1,000 Milligrams = 0.035 Ounces
 1 Kilogram = 1,000 Grams = 2.2 Lb
 1 Metric Ton = 1,000 Kilograms = 1 Megagram = 1.1 Short
 Tons

LIQUID MEASURE

1 Milliliter = 0.001 Liters = 0.0338 Fluid Ounces
 1 Liter = 1,000 Milliliters = 33.82 Fluid Ounces

SQUARE MEASURE

1 Sq Centimeter = 100 Sq Millimeters = 0.155 Sq Inches
 1 Sq Meter = 10,000 Sq Centimeters = 10.76 Sq Feet
 1 Sq Kilometer = 1,000,000 Sq Meters = 0.386 Sq Miles

CUBIC MEASURE

1 Cu Centimeter = 1,000 Cu Millimeters = 0.06 Cu Inches
 1 Cu Meter = 1,000,000 Cu Centimeters = 35.31 Cu Feet

TEMPERATURE

$5/9 (^{\circ}\text{F} - 32) = ^{\circ}\text{C}$
 212° Fahrenheit is equivalent to 100° Celsius
 90° Fahrenheit is equivalent to 32.2° Celsius
 32° Fahrenheit is equivalent to 0° Celsius
 $9/5 \text{ C} + 32 = \text{F}^{\circ}$

APPROXIMATE CONVERSION FACTORS

TO CHANGE	TO	MULTIPLY BY
Inches	Centimeters	2.540
Feet	Meters	0.305
Yards	Meters	0.914
Miles	Kilometers	1.609
Square Inches	Square Centimeters	6.451
Square Feet	Square Meters	0.093
Square Yards	Square Meters	0.836
Square Miles	Square Kilometers	2.590
Acres	Square Hectometers	0.405
Cubic Feet	Cubic Meters	0.028
Cubic Yards	Cubic Meters	0.765
Fluid Ounces	Milliliters	29.573
Pints	Liters	0.473
Quarts	Liters	0.946
Gallons	Liters	3.785
Ounces	Grams	28.349
Pounds	Kilograms	0.454
Short Tons	Metric Tons	0.907
Pound-Feet	Newton-Meters	1.356
Pounds Per Square Inch	Kilopascals	6.895
Miles Per Gallon	Kilometers Per Liter	0.425
Miles Per Hour	Kilometers Per Hour	1.609
TO CHANGE	TO	MULTIPLY BY
Centimeters	Inches	0.394
Meters	Feet	3.280
Meters	Yards	1.094
Kilometers	Miles	0.621
Square Centimeters	Square Inches	0.155
Square Meters	Square Feet	10.764
Square Meters	Square Yards	1.196
Square Kilometers	Square Miles	0.386
Square Hectometers	Acres	2.471
Cubic Meters	Cubic Feet	35.315
Cubic Meters	Cubic Yards	1.308
Millimeters	Fluid Ounces	0.034
Liters	Pints	2.113
Liters	Quarts	1.057
Liters	Gallons	0.264
Grams	Ounces	0.035
Kilograms	Pounds	2.205
Metric Tons	Short Tons	1.102
Newton-Meters	Pound-Feet	0.738
Kilopascals	Pounds Per Square Inch	0.145
Kilometers Per Liter	Miles Per Gallon	2.354
Kilometers Per Hour	Miles Per Hour	0.621

